

## Features

- One form C relay as part of the base assembly
- Relay rating: 2A @ 30VDC, 0.5A @ 125VAC
- Works independent of the detectors attached
- May be mapped to any device connected to the Control Panel
- LED to indicate that the unit is active
- Separation included in the base for high and low voltage and power limited/non-power limited connections
- Terminals accept 22 to 12 AWG wire sizes
- Supports Class A, Class X and Class B wiring
- Does not require SLC Loop address
- Product includes 5-year warranty
- UUKL Listed for Smoke Control



## Description

The Addressable Relay Base 6" (PAD300-RB) is combination detector base with a relay module included. The base has a locking feature for the detector that may be used or removed in the field. Once the detector is removed, the relay is accessible in the bottom of the unit.

The PAD300-RB provides one form C relay output. The relay is rated for 2A at 30 VDC, and 0.5A at 125VAC. The PAD300-RB provides for separation of high voltage and non-power limited connections from the power limited Signaling Line Circuit (SLC). The PAD300-RB does not consume SLC address and does not require an auxiliary power source.

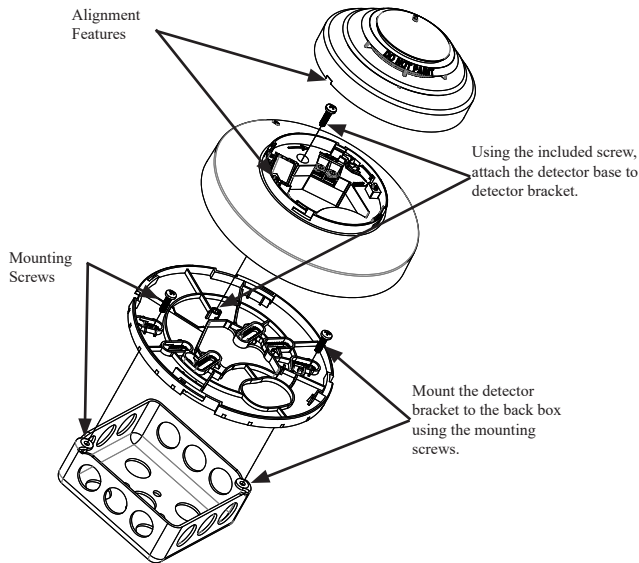
## Technical Specifications

SLC Voltage	24 VDC
SLC Standby Current	300 $\mu$ A
Alarm LED Current	1.4 mA
Relay Rating	2A @30VDC, 0.5A @125VAC
Installation Temperature Range	32°F to 150°F (0°C to 66°C)
Operating Humidity Range	< 93% (Non-condensing)
Dimension	6.4 in (163 mm)
Weight	199 g (7.05 oz)
Height	1.57 in

## Detector Base Mounting

The mounting holes are configured for a single gang, 3-1/2" octagon, 3-1/2" square, double gang, 4" octagon, 4" square, 50mm c/c, 60mm c/c and 70mm c/c boxes. See Fig. 1.

Fig. 1



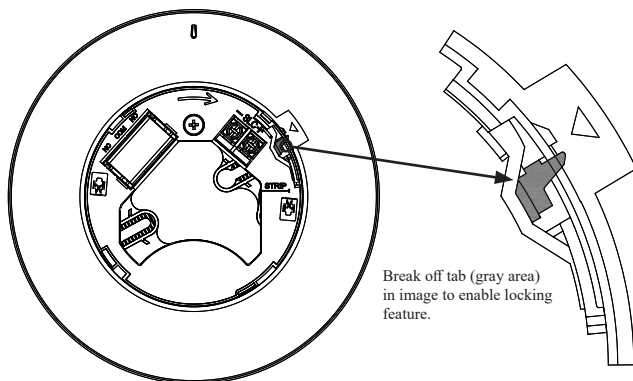
## Locking Feature

Eliminate the Locking Feature

PAD300-RB include a locking feature that prevents removal of the detector and removal of the base cover without using a tool.

1. To enable this feature, break off the locking tab, and then install the detector. See Fig. 2.

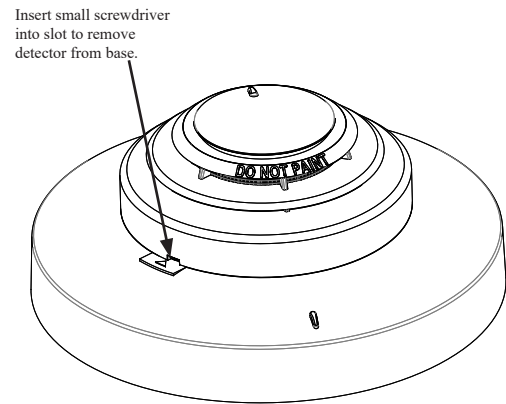
Fig. 2



Removing of Detector Head from Base

2. To remove the detector from the base once the locking feature has been activated, insert a small screwdriver into the slot on the base to push the plastic tab while simultaneously turning the detector head counter-clockwise See Fig. 3.

Fig. 3



3. To remove the base cover from the lower enclosure once the locking feature has been activated, insert a small screwdriver into the slot on the base to push the plastic tab while simultaneously turning the detector head counter-clockwise.

## Ordering Information

Model	Description	Stock No.
PAD300-RB	Addressable Relay Base	3992784