

OUTDOOR/INDOOR

DURABLE SIREN



DURABLE SIREN/STROBE COMBINATION



INST. SHT. No. SSX52-H1010 S100510

INSTRUCTION

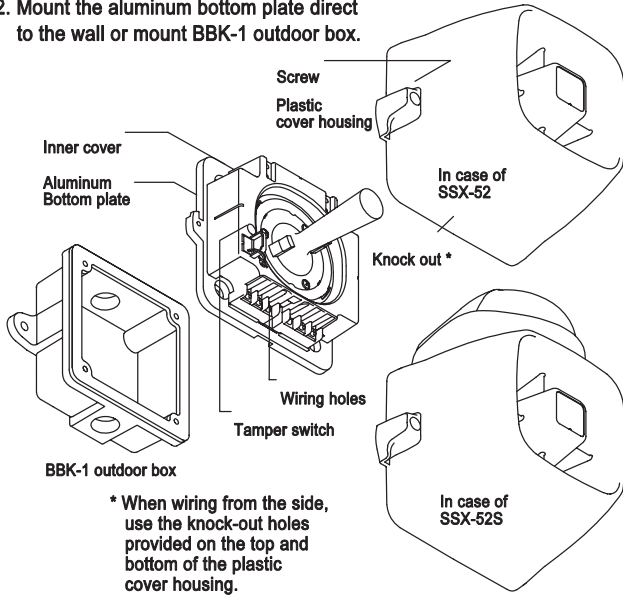
GENERAL DESCRIPTION

SSX-52 is a durable self-contained outdoor and indoor siren that eliminates the need for an additional siren box and tamper switch mounting which is generally used on a conventional installation. The SSX-52 durable siren consist of a strong and rust free polycarbonate plastic cover housing, 120dB @ 1 foot output siren driver and a N/C plunger type tamper switch for supervision.

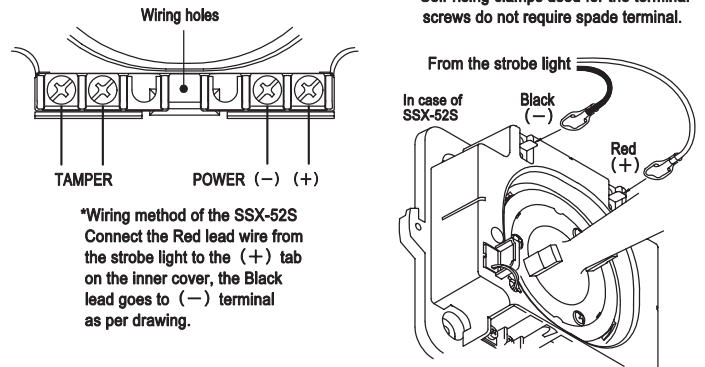
The durable siren DOES NOT require additional modules, metal boxes, tamper switches, or special tools to install and operate. The SSX-52 comes completely assembled and ready for installation. Also available the SSX-52S Siren / Colored strobe Combination. (Amber, Blue, Clear or Red lens to choose from.)

INSTALLATION

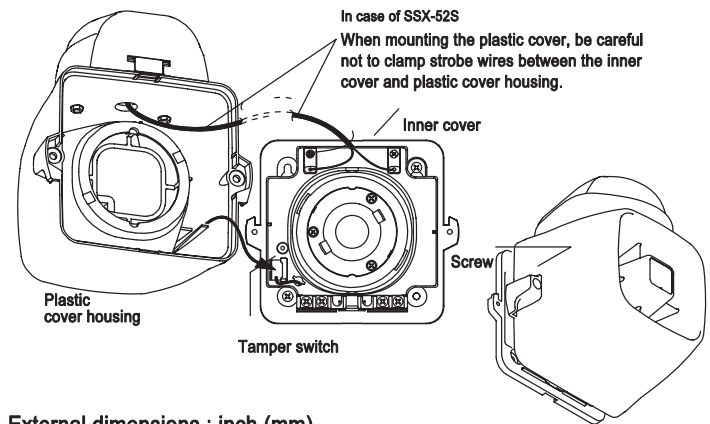
1. Remove the Plastic cover housing by loosening the screws.
2. Mount the aluminum bottom plate direct to the wall or mount BBK-1 outdoor box.



4. Wiring should be made as per drawing, and AWG #12 to #20 should be used. Siren/Strobe combination model installation should be same method of the above.



5. After completion of wiring, mount the plastic cover back and secure with screws. The tamper switch must be pushed by the cover housing.



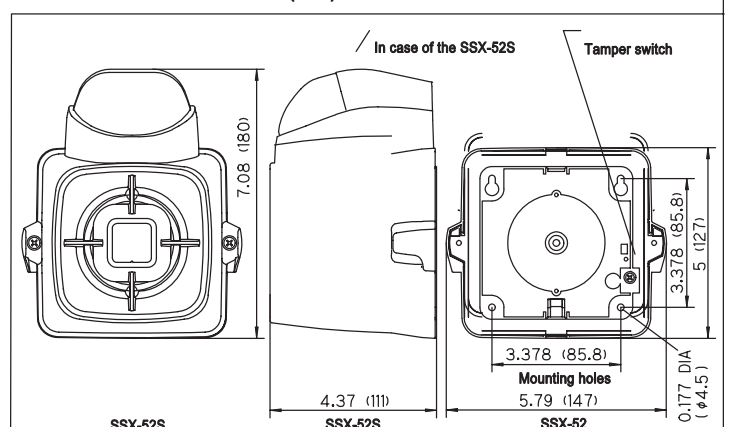
SPECIFICATION

	SSX-52	SSX-52S
Rated voltage	12VDC	
Rated current	560mA at 12VDC (typical)	670mA at 12VDC (typical)
Sound output	120dB @ 1 foot	
Operating voltage	6~14.4VDC	9.6~14.4VDC
Flashing rate	—	20~100 flashes/min.
Tamper switch contact capacity	0.3A , 12VDC	
Operating temperature range	-4°F ~ +149°F / -20°C ~ +65°C	
Lens color	—	Amber, Blue, Clear, Red

NOTE

- \* Siren sound quality varies with the power supply. If the power source has a high rippled, siren driver does not creates the best sound. Best siren sound should be made with a lower rippled power supply.
- \* Please do not touch electronic components when you install the siren, it may cause damage.

External dimensions : inch (mm)



Potter Electric Signal Company, LLC  
1609 Park 370 Place, Hazelwood, MO 63042  
Phone: 800-325-3936 / Canada 888-882-1833  
www.pottersignal.com