

**Features**

- Replaces filters in the IntelliGen™ INS-1500/2000/2500 units.
- Kit includes:
  - 1 micron filter
  - .01 micron filter
  - Activated carbon filter
  - O-rings (Qty. 3)



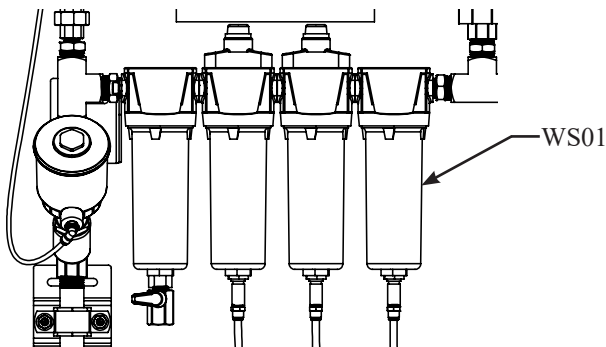
**⚠ WARNING**

Ensure power is disconnected and there is no pressure in the nitrogen generator before proceeding.

**Replacing Filter Elements**

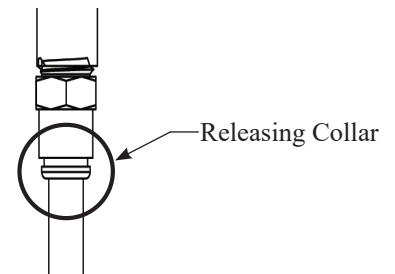
1. Power off the air compressor using the customer supplied disconnect and the Control Power Only Switch located on the right side of the cabinet.
2. Power off the nitrogen generator using the customer installed electrical disconnect.
3. Isolate the nitrogen generator from the sprinkler system by closing the N2 Tank Outlet Valve (V03) located on the nitrogen tank.
4. Open the blue N2 Bleed Valve (V04) located near the Nitrogen Sample Port (SP) and begin draining pressure from the nitrogen tank.
5. Open the black handled valve located on the Activated Carbon Filter (F03) and begin draining pressure from the air tank.
6. Locate the four (4) filters on the inside of the nitrogen generator cabinet. See Fig. 1.

Fig 1



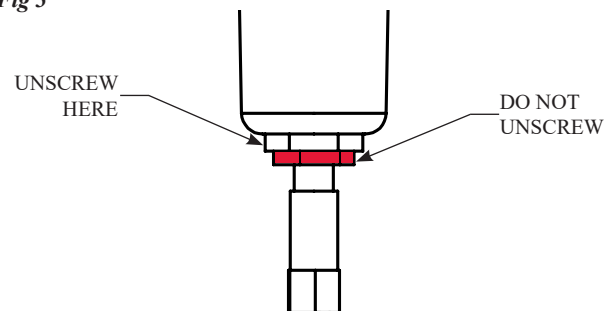
7. Disconnect the drain tubes from the filter bowl by pushing up on the plastic releasing collar and pulling down on the tube. See Fig. 2.

Fig 2



8. Using an adjustable wrench loosen the filter bowl from the filter body. See Fig. 3.

Fig 3

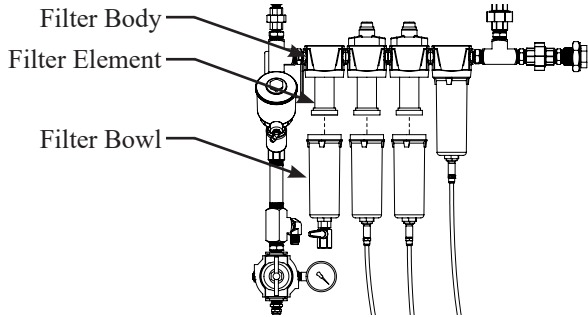


**NOTICE**

It is extremely important that you only unscrew the drain bowl from the filter body. The float adjustments at the bottom must remain in auto. Manual (man) will cause the floats to remain open and air to leak. If you accidentally loosen the float adjustment, simply retighten with your hand.

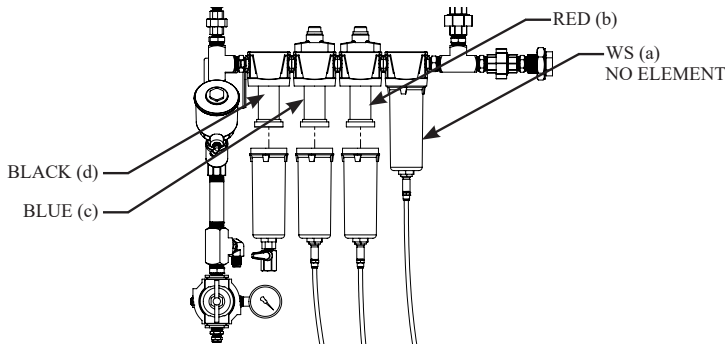
- After the filter bowl is separated from the filter body, remove the filter element by gently pulling down. See Fig. 4.

Fig 4



- Remove old O-rings and replace with the O-rings in the filter element kit.
- Clear filter bowls of debris and rinse.
- Replace the filter element with the correct filter element from the replacement kit (#0090262). See Fig. 5.

Fig 5



- Water Separator (#5230027) - No Element
- The filter body (#5230028) second from the right is the 1 micron filter which has a RED element (#5 5230032).
- The filter body (#5230029) third from the right is the .01 micron filter which has a BLUE element (#5230033).
- The filter body (#5230030) on the far left is the activated carbon filter which has a BLACK element (#5230034).

**Note:** This filter bowl is not connected to the drain and has a black handled valve.

- Check to make sure the floats move freely.
- Screw the filter bowl back into the filter body. Use an adjustable wrench to tighten the correct wrenching flats. Be careful to not over tighten or you may crack the filter body. Repeat for all filters.
- Close the black handled ball valve on the Activated Carbon Filter (F03) and the blue N2 Bleed Valve (V04).

## Resetting Maintenance Alerts and Checking for Leaks

- Turn power on to the unit using the customer supplied disconnect and the Control Power Only switch.
- To reset the maintenance timer and get the maintenance alert or maintenance trouble to reset, go to the IntelliGen™ Display.
- Press “MAINT” on the IntelliGen™ Display keypad.
- Enter passcode “0000”
- Select “Std. Maintenance” press “ENTER”.
- The menu will display maintenance timer countdown hours.
- To reset the maintenance timer press “ENTER”. Press “ENTER” again to confirm.
- To reset the maintenance timer press “ENTER”.
- The maintenance light on the IntelliGen™ Display will turn off and the maintenance timer has been reset.
- Turn power back on to the air compressor using the Air Compressor Switch located on the right of the cabinet. The amber “BYPASS” LED will be ON since there is no pressure in the tanks.
- If the nitrogen generator is isolated from the sprinkler system:
  - The air compressor of the INS-1500/2000/2500 should take no longer than 10 minutes to pressurize the two tanks and turn off.
- The amber “BYPASS” LED should turn off.
- If the air compressor is not turning off or it is taking longer than expected, it could indicate a leak.
- Allow the system to hold pressure for several minutes. Check all piping connections for leaks. Any drop in pressure on the nitrogen tank or air tank during this time could indicate a leak.
- If there is a drop in pressure, soap all filters and blow-down strainer.

## Ordering Information

Model	Stock No.
KIT-FILTER ELEMENT REPLACEMENT INS-1500/2000/2500	0090262