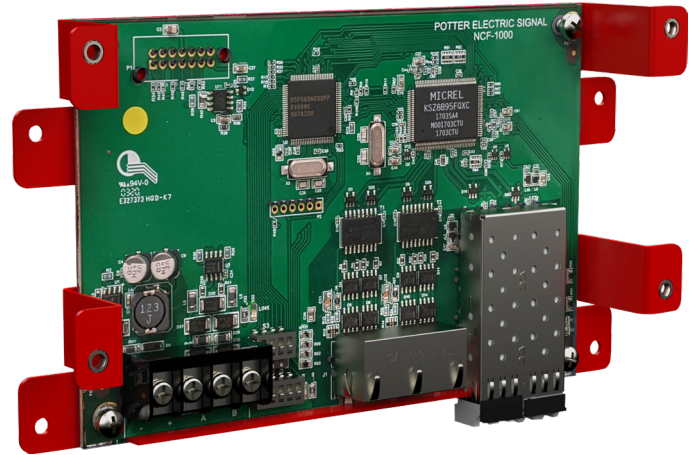


## Features

- Allows for Peer-to-Peer networking via multi-mode or single mode fiber
- Utilizes SFP (small form pluggable) modules for fiber selection
- Up to 200 panels can be networked together
- Any RA-6500 remote annunciator can be set as a global annunciator
- NCE-1000 and NCF-1000 are interoperable and both types can be used within a network
- Allows for a single panel to act as the host communicator
- Five year warranty included



## Description

The NCF-1000 Network Card Fiber is used to network the fire alarm panels using fiber optic cable. The NCF-1000 allows the user to install SFP (small form-factor pluggable) modules to utilize either single mode or multi-mode fiber. It is fully supervised and is capable of both Class B and Class A operation. The NCF-1000 may be mounted in either the control panel cabinet, the PSN-1000/E, the AE-2, AE-8 or AE-14. The connection between the FACP and the module shall be limited to 20 feet and enclosed in conduit or equivalently protected against mechanical injury.

Each card is mounted to the exclusive Stacker Bracket for secure and accessible mounting. A maximum of 31 NCF-1000s can be installed per panel with a maximum of 200 panels per network.

SFP (small form-factor pluggable) modules are installed for either multi-mode or single mode fiber installations. Potter part number 3992790 can be used for multi-mode installations. 3992790 utilizes 62.5/125-micron multi-mode fiber optic cable. It tolerates up to 10 db of signal loss. Potter part number 3992791 can be used to for single mode installations. 3992791 utilizes 9/125-micron single mode fiber optic cable. It tolerates up to 12 db of signal loss.

## Technical Specifications

Standby Current	95 mA
Alarm Current	95 mA
Operating Temperature Range	32° to 120°F (0° to 49° C)
Operating Humidity Range	10%-93% (non-condensing)
Operating Voltage Range	24 VDC
Signal Loss Tolerance	10 db - multimode 12 db - single mode
Fiber Connector Type	LC Duplex Fiber Connectors
Max no. of NCF-1000	31
Dimensions (WxHxD)	4" x 6" x 1 5/8"
Wire Gauge P-Link	12 AWG - 18 AWG
Compatible Panels	IPA/AFC Series Addressable PFC-4064 Conventional

**Installation**

The NCF-1000 is connected to the fire control panels using a 4-wire RS-485 connection and Ethernet cable that connects to panel's P-Comm port. The connection is power limited and supervised.

SFP (small form-factor pluggable) modules are installed for either multi-mode or single mode fiber installations. Potter part number 3992790 can be used for multi-mode installations. 3992790 utilizes 62.5/125-micron multi-mode fiber optic cable. It tolerates up to 10 db of signal loss. Potter part number 3992791 can be used to for single mode installations. 3992791 utilizes 9/125-micron single mode fiber optic cable. It tolerates up to 12 db of signal loss.

Fig 1

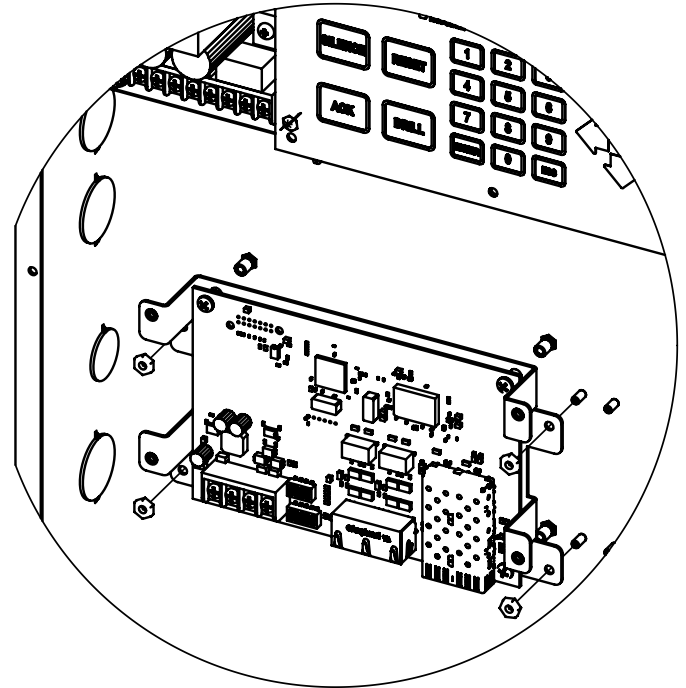
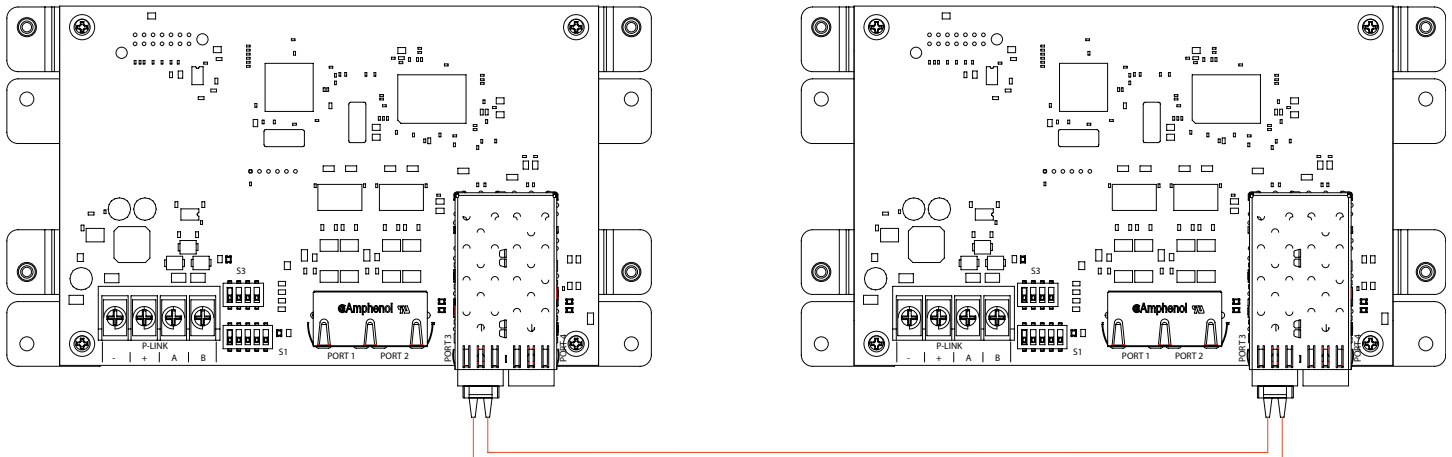
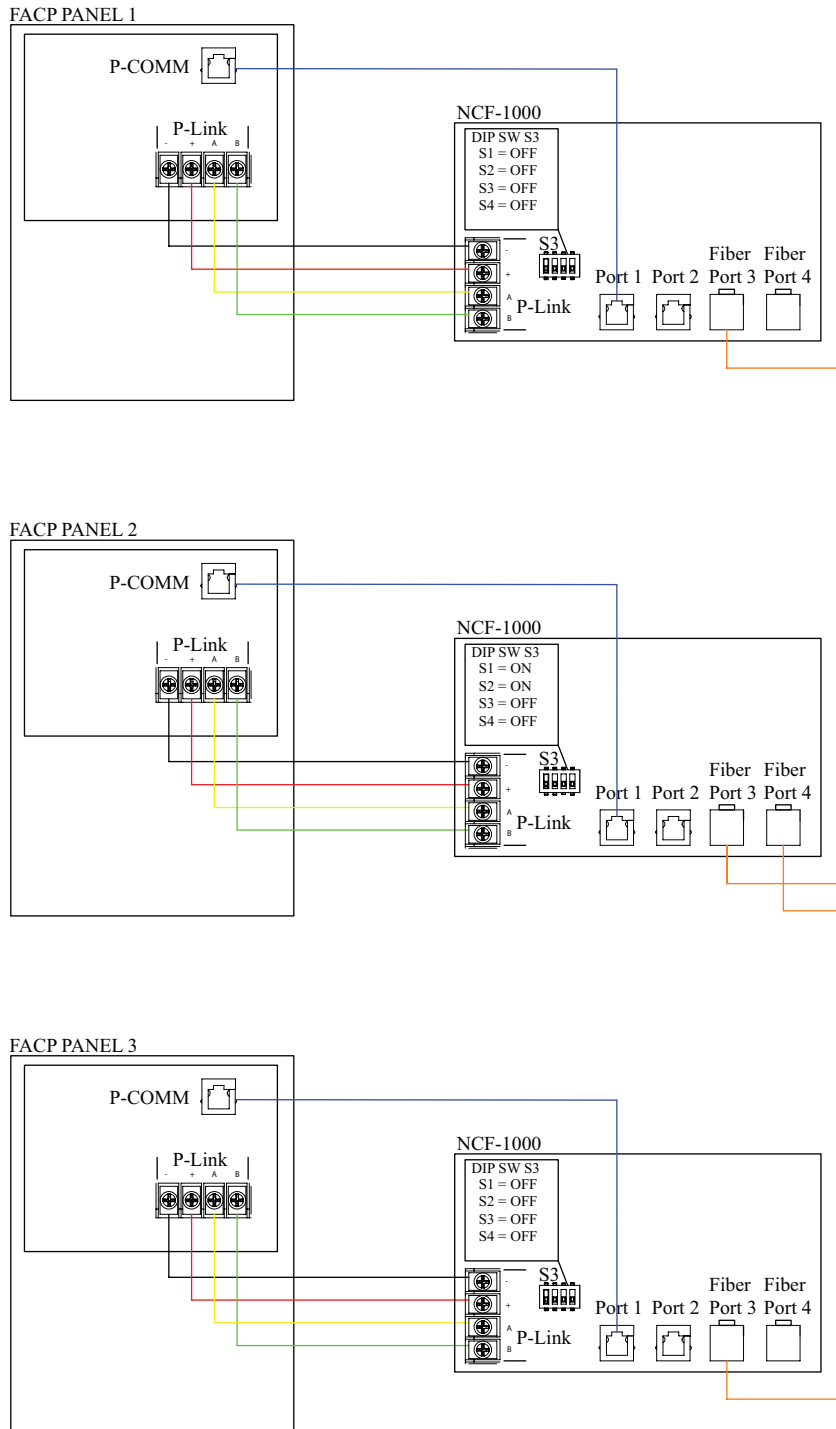


Fig 2

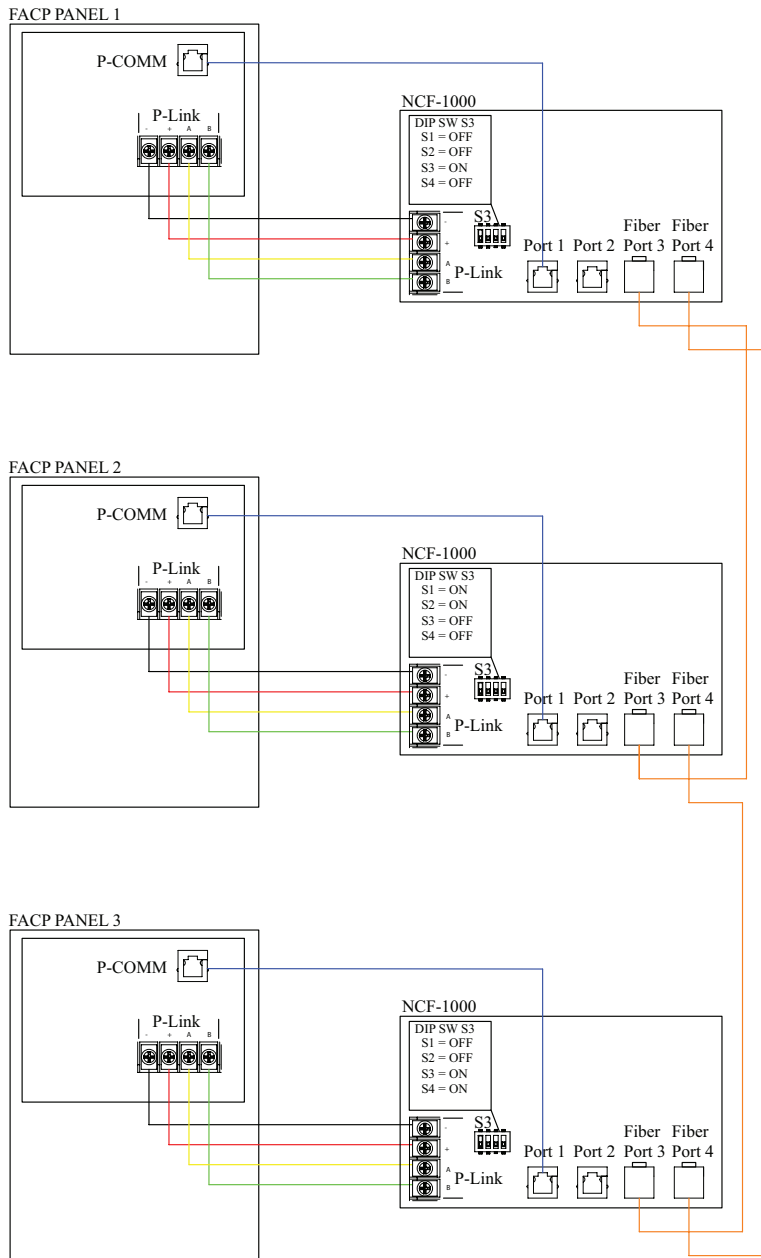


2 strands of fiber required with LC Duplex Connectors at each port on NCF-1000 card.  
Fiber strand connections must cross over from left side to right side of connectors (RX to TX)

**Class B Wiring**



**Class A Wiring with Return**



**Ordering Information**

Model	Description	Stock No.
NCF-1000	Network Card-Fiber	3992789
	SFP Module Multi-Mode Fiber	3992790
	SFP Module Single-Mode Fiber	3992791