

Features

- Firefighter's phone jack



Description

The FFT-FPJ is a fireman's phone jack to be located at strategic areas in a building for two-way communication between the remote area and the FFT- 1000.

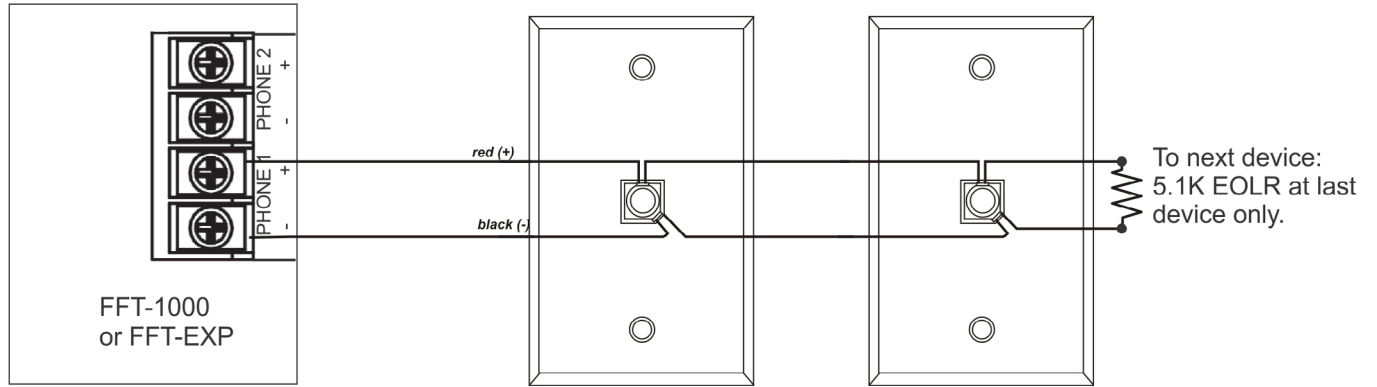
In operation, an FFT-RFH (Remote Fireman's Handset) is plugged into an FFT-FPJ (Fireman's Phone Jack) which will ring at the FFT-1000. The operator can then pick up the master handset at the FFT-1000, select the corresponding switch, and establish 2-way communication with the remote handset.

Technical Specifications

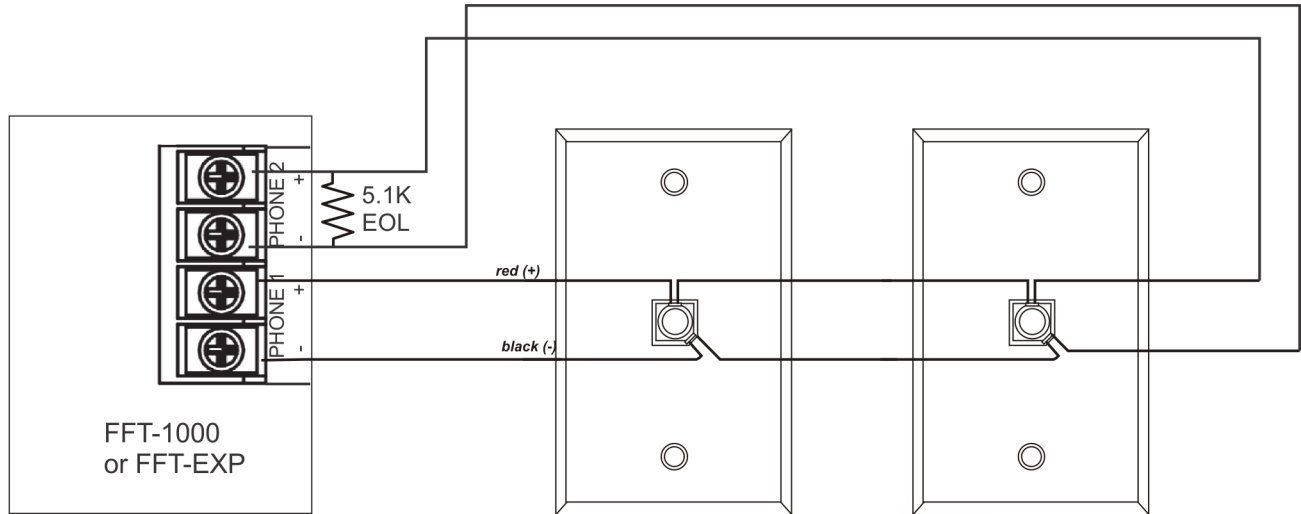
Operating Temperature	0°C-49°C (32°F-120°F)
Operating Humidity Range	10%-93% @ 30°C (86°F) noncondensing humidity

Installation

Class B Wiring Connection



Class A Wiring Connection



Ordering Information

Model	Description	Stock No.
FFT-FPJ	FFT-FPJ FIREMAN'S PHONE JACK	3006732