



CSH24W

SELECT-A-STROBE/HORN COLORED LIGHT SERIES



- Limitless applications: Weather warning, mass notification, leaks, etc.
- Selectable candela output
- NFPA/ANSI compliant
- UL listed for wall mounting
- Polarized strobes with wide operating voltage range using filtered DC or unfiltered FWR input voltage
- Horn field selectable tones:
 - 3000 Hz interrupted or electro-mechanical
 - Temporal or Non-temporal
 - High or low dBA output
- Universal mounting plate for 4", single gang back box and more
- Synchronization using Sync Module (SMD10-3A)
- Available in red or white housing
- Available strobe colors: amber, blue, green, red

The Amseco Colored Strobe utilizes a patented design that produces a true color output. The CSH24W offer a slim-line look with a stylish round strobe. The CSH24W colored strobe/horns are UL listed for indoor applications. The terminal strips accept a wide cable offering and provide a simple connection of one or multiple devices. The strobe/horn combinations are selectable with either a continuous or ANSI Temporal 3 output. These strobes are used in various applications such as Mass Notification, Severe Weather Warning, Machine Operation, Industrial Detection Systems, Access Control and many, many more. These devices are UL listed for general signaling (UL 1638) and comply with the requirements for signaling of the hearing impaired (UL 1971). The bodies of the strobes are available in red or white. The strobes are designed for 24 VDC, however will operate anywhere between 16 and 33 VDC.

Ordering Information

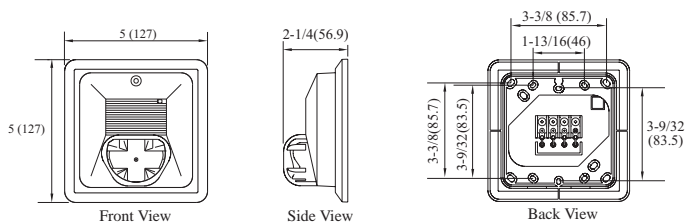
Model Number	Stock Number	Housing Color	Strobe Color	Input Voltage	Strobe Candela	Mounting Type	Light Output	Flash Rate	Operating Temperature Range
CSH24W-AW	4800002	White	Amber	Regulated 24V DC/ FWR	75/145	Wall Mount	Low/High	60 times/ minute	32°F - 120°F (0°C - 49°C)
CSH24W-BW	4800004		Blue		40/79				
CSH24W-GW	4800006		Green		79/154				
CSH24W-RW	4800008		Red		35/68				
CSH24W-AR *	4800001	Red	Amber		75/145				
CSH24W-BR	4800003		Blue		40/79				
CSH24W-GR *	4800005		Green		79/154				
CSH24W-RR	4800007		Red		35/68				

*Contact Potter before ordering

Engineering Specifications

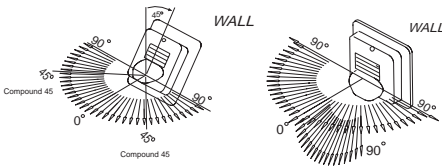
The Amseco CSH24W colored strobe/horn shall be provided for visual and audible notification. The device shall have a universal mounting plate and connect to a single gang, double gang, four inch square or octagon box. The devices shall be UL listed for General Signaling and shall comply with light output requirements of UL 1971 for spacing. The colored strobes shall have a minimum light output of 15 cd. The reflective mirror shall be the same color as the lens to produce a true color of amber, red, blue or green. The strobe shall operate between 16 and 33 VDC regulated or full wave rectified. The strobe shall flash a minimum of once a second continuously at 16 VDC.

Dimensions: inches (mm)



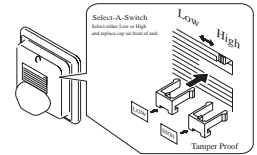
Specifications

Light Output Dispersion	Light Output on Axis (cd)	
	Low	High
Amber	75	145
Blue	40	79
Green	79	154
Red	35	68
White	27	53

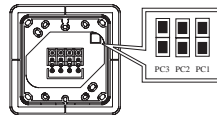


Strobe Light Only	Max. RMS operating Current (mA)	
	Regulated 24V DC (Typical)	Regulated 24V FWR (Typical)
15cd	88 (57)	127 (95)
30cd	134 (87)	184 (135)

Under ULC 525/526	ULC Current @ 24V DC (mA)	
	Low Volume	High Volume
15cd	79	92
30cd	111	124



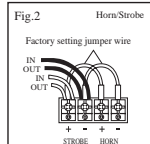
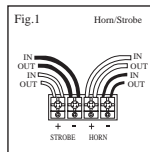
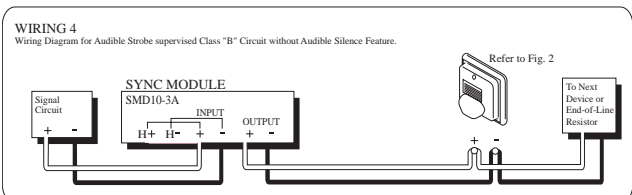
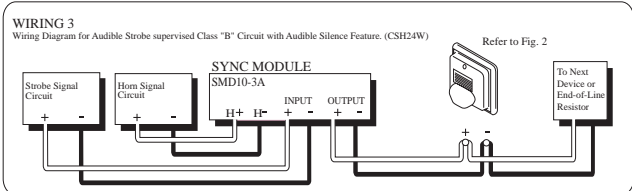
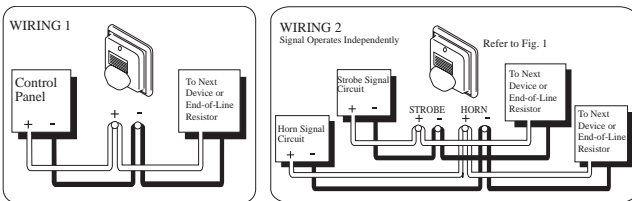
Tone Selection	PC3 Pattern	PC2 Tone	PC1 Volume
Jumper	Non-Temporal	Electro-Mechanical	High
	Temporal	3000Hz	Low



WARNING

The strobe/horn must be used only on circuits with continuously operating voltage. DO NOT use strobe on coded or interrupted circuits in which the applied voltage is interrupted ON and OFF as the strobe may fail to flash. The applied voltage must be within its rated input voltage range. Fuse ratings on signaling circuits must handle peak currents from all devices connected to those circuits.

Wiring Diagram

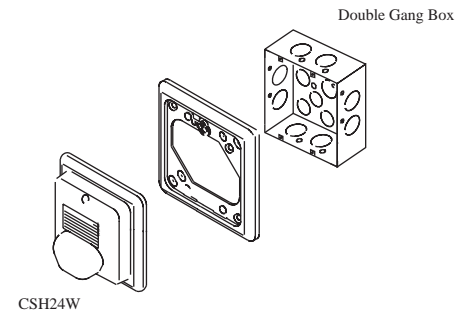
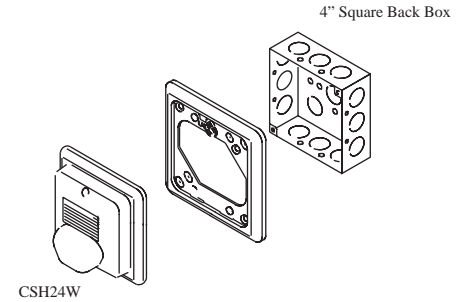
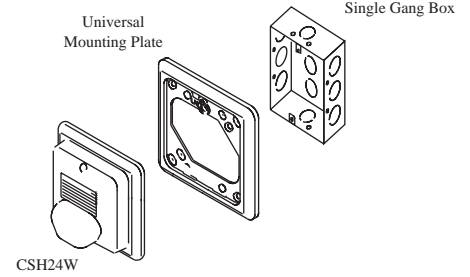


CSH24W

SELECT-A-STROBE/HORN COLORED LIGHT SERIES

Strobe/Horn Current Draw Table				PC3: Pattern PC2: Tone PC1: Volume			Maximum RMS Operating Current (mA)		Minimum Sound Output (dBA at 10ft per UL464)
				PC3	PC2	PC1	Regulated 24V DC (Typical)	Regulated 24V FWR (Typical)	Regulated 24V DC
Horn & Strobe (Low)	Non-Temporal	Electro Mechanical	HIGH	1	1	1	112 (99)	145 (145)	83
			LOW	1	1	0	109 (80)	142 (120)	74
		3000 Hz	HIGH	1	0	1	118 (99)	153 (145)	84
			LOW	1	0	0	106 (80)	139 (120)	74
	Temporal	Electro Mechanical	HIGH	0	1	1	112 (99)	145 (145)	79
			LOW	0	1	0	109 (80)	142 (120)	69
		3000 Hz	HIGH	0	0	1	118 (99)	153 (145)	80
			LOW	0	0	0	106 (80)	139 (120)	70
Horn & Strobe (High)	Non-Temporal	Electro Mechanical	HIGH	1	1	1	158 (130)	207 (185)	83
			LOW	1	1	0	155 (111)	204 (160)	74
		3000 Hz	HIGH	1	0	1	164 (130)	215 (185)	84
			LOW	1	0	0	152 (111)	201 (160)	74
	Temporal	Electro Mechanical	HIGH	0	1	1	158 (130)	207 (185)	79
			LOW	0	1	0	155 (111)	204 (160)	69
		3000 Hz	HIGH	0	0	1	164 (130)	215 (185)	80
			LOW	0	0	0	152 (111)	201 (160)	70
Horn Only	Non-Temporal	Electro Mechanical	HIGH	1	1	1	57	91	83
			LOW	1	1	0	42	44	74
		3000 Hz	HIGH	1	0	1	70	68	84
			LOW	1	0	0	36	38	74
	Temporal	Electro Mechanical	HIGH	0	1	1	57	91	79
			LOW	0	1	0	42	44	69
		3000 Hz	HIGH	0	0	1	70	68	80
			LOW	0	0	0	36	38	70

Installation Options



Sound Output Dispersion	Horizontal dB		Vertical dB		
	Strobe/ Horn	Horn Only	Strobe/ Horn	Horn Only	
DEGREES	+90	-6	-6	-3	-3
	+60	-2	-2	-2	-2
	+30	-1	-1	-1	-1
	0	0	0	0	0
	-30	-1	-1	-3	-1
	-60	-2	-2	-5	-3
	-90	-6	-6	-6	-4

