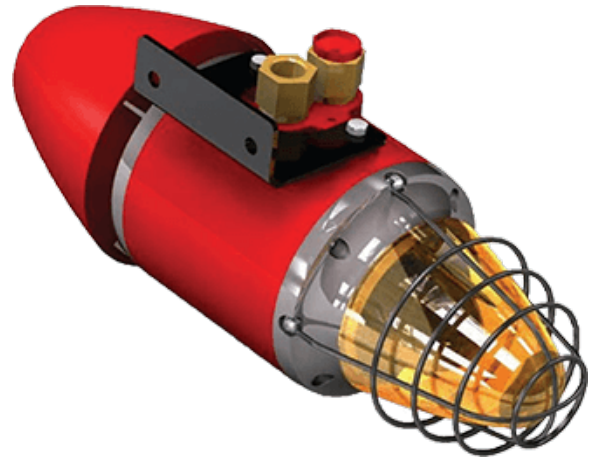


Features

- Lamp: Flashing beacon – XENON (5 J)
- Horn: Omnidirectional/ max. 110 dB(A)
- Type of protection: Ex d
- Class: IP66 (IEC 60529/ NEMA 4X)
- Robust aluminium enclosure (powder- coated)
- Stainless steel protection cage and mounting bracket included
- 8 light- intensifying Fresnel lens colours available to order
- 32 standardised preconfigured signal sounds (PFEER/ UKOOA compatible)
- 2 individual signal sounds can be chosen
- Telephone system connection/ line monitoring optionally available to order



Description

Product series YL60 is designed to provide both an audible and visual alarm which can be used to alert, warn or draw attention to machine malfunction/ start up or any number of safety related issues in hazardous areas. The audible and visual signals can be operated independently or as a combination unit.

IECEX/ATEX

Zone	Installation In
0	
1	X
2	X
20	
21	X
22	X

CEC Appendix J

NEC 500		
Class	Division	Installation In
1	1,2	1,2
2	1,2	1,2
3	1,2	1

Technical Specifications

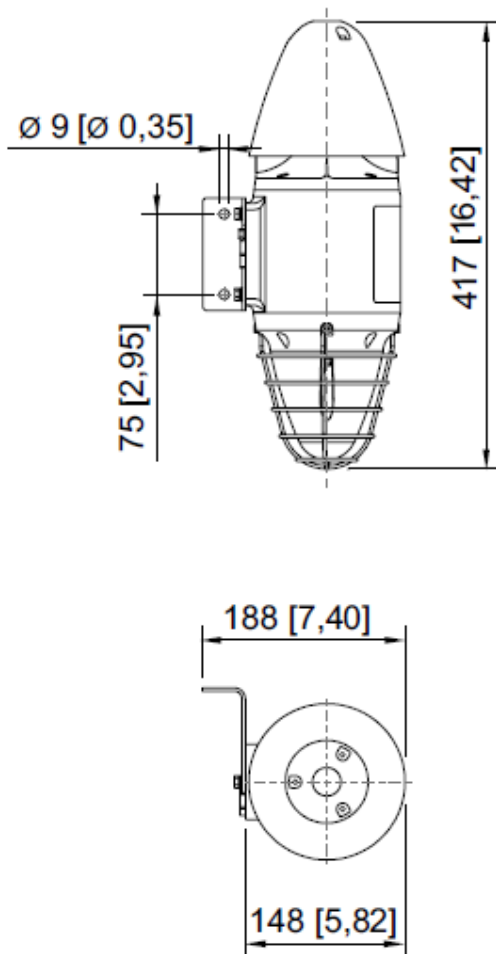
Ambient Temperatures	<ul style="list-style-type: none"> • EU -20C° to 40° • RU -20C° to 40° • UL -20C° to 60°
Lighting	<ul style="list-style-type: none"> • Lamp - Xenon Flash Tubes • Flash Energy - 5J • Flash rate - 1Hz
Mechanical Data	<ul style="list-style-type: none"> • Degree of Protection IP (IEC 60529) - IP66 • Enclosure Material - Aluminium, Powder-coated, Seawater Resistant • Enclosure Colour - Red Normal, (UL-Red -RAL 3001) • Trumpet Material - ABS, Flame Retardant • Material Glass Dome - Polycarbonate • Material Wire Guard - Stainless Steel • Connection Terminals Solid Max/ Finely-Stranded Max 2.5mm²
Mounting / Installation	<ul style="list-style-type: none"> • Material Mounting Parts - Sheet Steel, Powder-coated • Connection Type - Screw Terminal
Components	<ul style="list-style-type: none"> • Drilled Holes - 2 x M20 • Cable Entries - Can be ordered as Accessories • Stopping Plug - 1 x Dust Cap, 1 x M20 x 1.5, (UL-1 x 1/2" NPT, 2 x Adapters M20 x 1/2" NPT, 1 x dust Cap) • Stopping Plug Material - Brass

CEC Section 18

NEC 505		
Class	Zone	Installation In
1	0,1,2	1,2

NEC 506	
Zone	Installation In
20,21,22	21,22

Dimensions



Ordering Information

Model	Description	Stock NO.
YL60	Audible and Visual Signaling Device	Call for Details

Accessories

Model	Description	Stock NO.
Mounting Bracket	Stainless Steel Bracket Fixing Kit	Call for Details

Spare Parts

Model	Description	Stock NO.
Emergency Light Flare	Amber ATEX Spare	Call for Details
	Amber UL Spare	Call for Details
	Blue ATEX Spare	Call for Details
	Blue UL Spare	Call for Details
	Green UL Spare	Call for Details
	REd ATEX Spare	Call for Details
	Red UL Spare	Call for Details
	Yellow ATEX Spare	Call for Details
Moulding-lens	Clear	Call for Details
	Red	Call for Details
	Yellow	Call for Details

Selection Table					
Certificates		ATEX (BAS), Canada/USA (UL), IECEx (BAS)			
Rated Operational Voltage AC	Rated Operational Voltage DC	Rated Operational Current	Lens Colour	Product Type	Weight kg
115 V	-	200 mA	Amber	YL60/ B/L50/ A/UL	6.000
		200 mA	Blue	YL60/ B/L50/ B/UL	6.000
		200 mA	Clear	YL60/ B/L50/ C /UL	6.000
		200 mA	Green	YL60/ B/L50/ G /UL	6.000
		200 mA	Red	YL60/ B/L50/ R/UL	6.000
		200 mA	Yellow	YL60/ B/L50/ Y/UL	6.000
230 V	-	100 mA	Amber	YL60/ B/N50/ A/UL	6.000
		100 mA	Clear	YL60/ B/N50/ C /UL	6.000
		100 mA	Red	YL60/ B/N50/ R/UL	6.000
		100 mA	Yellow	YL60/ B/N50/ Y/UL	6.000
-	24 V	570 mA	Amber	YL60/ B/D50/ A/UL	6.000
		570 mA	Blue	YL60/ B/D50/ B/UL	6.000
		570 mA	Clear	YL60/ B/D50/ C /UL	6.000
		570 mA	Red	YL60/ B/D50/ R/UL	6.000
		570 mA	Yellow	YL60/ B/D50/ Y/UL	6.000
Certificates		ATEX (BAS), EAC (TehnoP), India (PESCO), Russian Federation (TPB SER)			
Rated Operational Voltage AC	Rated Operational Voltage DC	Rated Operational Current	Lens Colour	Product Type	Weight kg
115 V	-	200 mA	Amber	YL60/ C /L50/ A/RU	6.000
		200 mA	Red	YL60/ C /L50/ R/RU	6.000
230 V	-	100 mA	Amber	YL60/ C /N50/ A/RU	6.000
		100 mA	Red	YL60/ C /N50/ R/RU	6.000
-	24 V	570 mA	Amber	YL60/ C /D50/ A/RU	6.000
		570 mA	Blue	YL60/ C /D50/ B/RU	6.000
		570 mA	Red	YL60/ C /D50/ R/RU	6.000
		570 mA	Yellow	YL60/ C /D50/ Y/RU	6.000