

RSW-21 SERIES ROLLER BALL SWITCH

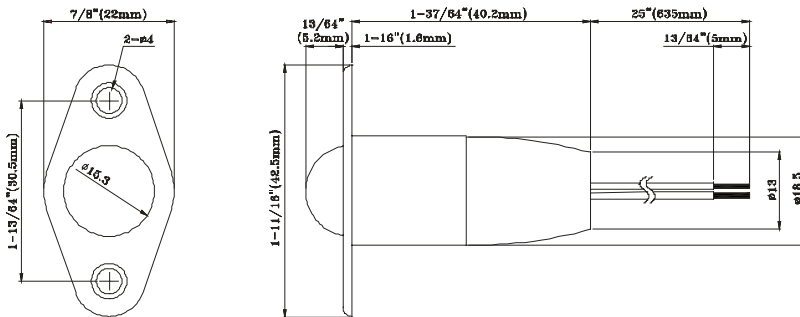


- Hardened stainless steel ball
- 3mm pre-travel stroke
- Available in SPST or SPDT
- Optional recessed mounting

Application

The RSW-21 is a roller ball type switch for a closed circuit application by using a hardened stainless steel ball. It will fit into a 3/4" drilled hole for recessed mounting. The 5/8" diameter stainless steel ball's overall travel stroke of 6.2mm allows for only 3mm operating stroke. Operating force is 400-500g. Lead wires are #22 and 25" long.

Dimensions



Specifications

Model	Color	Stock Number	Contact	Contact Rating	Contact Type	Max. Carry Current	Max. Switching Current	Breakdown Voltage	Operating Force	Pre-Travel Stroke	Overall Stroke
RSW-21	Ivory	4430003	22AWG 25" Lead	10VA	Form A N.O.	1.0 Amp	.4 Amp	200VDC	400-500g	3mm ± 1mm	5.2mm ± .5mm
	Gray	4430006									
	Brown	4430005									
RSW-21B	Ivory	4430007		3VA	Form C N.O./N.C.	.5 Amp	.2 Amp				