



- Extremely quiet on standby
- Operates on 3V DC - 28V DC
- Rated at 20mA operating current at 24V DC
- Multi-functional mounting method
- Lead wire type or screw terminal type

Amseco's Piezo-A-Lert Model ESZ-25 and ESZ-26 are specially designed as advanced electronic audible signaling devices that are extremely quiet on stand-by, emitting less extraneous noises because they have no oscillator coils in their electronic circuits. Both ESZ-25 and ESZ-26 produce an extremely loud sound output.

Most piezo type buzzers are energized piezo electric transducers operating at a resonance in a solid state oscillator, but ESZ-25 and ESZ-26 have a completely different design. Both units operate on as little as 3V DC to as much as 28V DC and are rated at 20mA operating current at 24V DC. The ESZ-25 and ESZ-26 are quiet on standby and because of this they are highly recommended for use on microcomputer electronic equipment. Since microelectronic computer equipment is very sensitive to extraneous noises, the ESZ Series Piezo Alarms are excellent choices for security alarm requirements.

The ESZ-25 and ESZ-26 have a multi-functional mounting method. By simply unscrewing the face nut it can be inserted into any standard 3/4" knockout hole. By screwing the nut back in place, there will be a solid mounting. On the base, located on either side, are two loops. Inserting screws in these loops will allow the device to be surface mounted. The two loops may be cut off if not required.

The Piezo-A-Lert signal operates in free air only. It is not compatible with under water applications. The recommended operating temperature range is -4°F to 140°F (-20°C to 60°C).

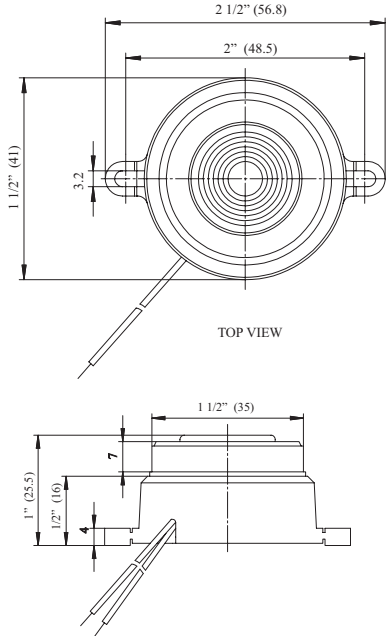
The ESZ-25S has a single continuous tone sound. The ESZ-25B and ESZ-26B have a dual-tone, continuous, or intermittent sound in one unit. The dual-tone unit has an override protection. The continuous tone will override the intermittent tone if both tones are sounded at the same time. Model ESZ-25 is the lead wire type and Model ESZ-26 is equipped with screw terminals.

Ordering Information

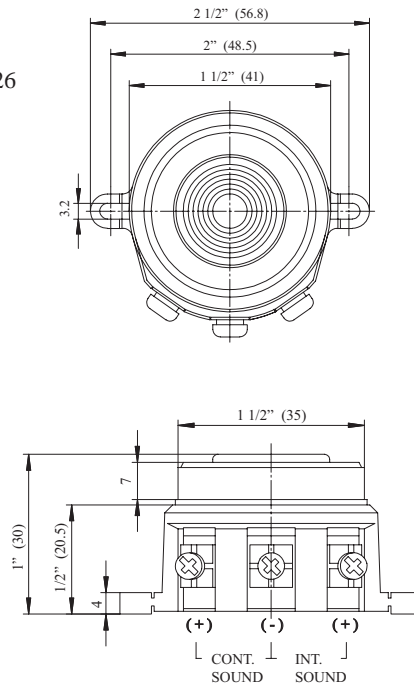
Model Number	Stock Number	Tones	Connection
ESZ-25B	4050003	Continuous or intermittent	3-wire
ESZ-25S	4050004	Continuous single	2-wire
ESZ-26B	4050005	Continuous or intermittent	Terminal

Dimensions: inches (mm)

ESZ-25



ESZ-26



Specifications

Rated Voltage	3 - 28V DC
Rated Current	20mA max. at 24V DC
Starting Voltage	2.4V DC max.
Lead Length	160mm Model ESZ-25
Sound Output at 3V	82dB @ 1 ft.
6V	90dB @ 1 ft.
12V	98dB @ 1 ft.
24V	103dB @ 1 ft.
28V	104dB @ 1 ft.