



- Compelling sound on minimum current
- Operates on 3V DC - 28V DC
- High reliability and exceptional long life
- Multifunctional mounting method

Model Number	Stock Number
PAL-328	4050001
PAL-328N	4050002

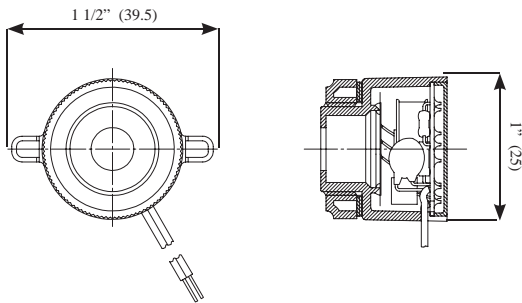
The Piezo Alert is an advanced electronic audible signal device that emits a compelling sound with minimum current draw. This solid state device operates from as little as 3V DC to as much as 28V DC and is rated at 20mA. Sound output is proportional to input voltages and ranges from a minimum of 68dB to over 100dB at 28V DC at 1 ft. The piezo electronic contact points give it high reliability and an exceptional long life. The piezo alert signal operates in free air only. It is not compatible with under water applications. The recommended operating range is from -13°F to 158°F (-25°C to 70°C). This UL recognized Piezo alert is available in two models: PAL-328N and PAL-328. Both models have a black finish.

The PAL-328N has a multi-functional mounting method. By simply unscrewing the face nut it can be inserted into any standard 3/4" or 1 1/4" knockout hole. Screwing it back into place will provide solid mounting. Located on either side of the base are two loops. Insert screws into the loops and the unit can be surface mounted. The PAL-328 Model can only be installed utilizing the two loops with screws.

The PAL-328 series Piezo buzzers operate when an audible frequency is applied from a transistor to an oscillator plate containing a piezo-electric element and metallic vibrating plate.

It is important when installing the PAL Series Buzzer within any enclosed area to remove any obstruction in front of the buzzer. Any object too close to the buzzer may minimize the sound output.

Dimensions: inches (mm)



Specifications

Rated Voltage	3 - 28V DC
Rated Current	20mA max. at 28V DC
Power Output	93 dB at 1 meter
Operating Temperature	-13°F - 158°F (-25°C - 70°C)
Expected Life	250 hours
Starting Voltage	1.0 V Max.