

UL Listed Strobe Horn

Dimensions: 10-3/4" h x 9" w x 4-1/2" d

Voltages Available: SASH-24 (12/24 VDC)
SASH-120 (120 VAC)

Environment: Indoor or Outdoor use
Weatherproof backbox is included with both models

Termination: Separate terminals for horn and strobe

Finish: Red with white lettering

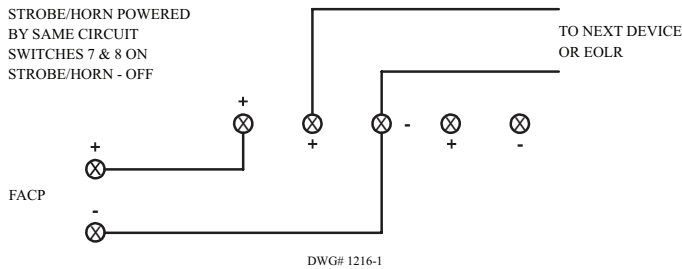
Stock number: 1000755 SASH-24
Stock number: 1000760 SASH-120

The SASH series is a multitone sstrobe/horn combination designed for use as an audio visual indication for automatic sprinkler systems. It can be installed in conjunction with or in place of water motor gongs.

Wiring Information

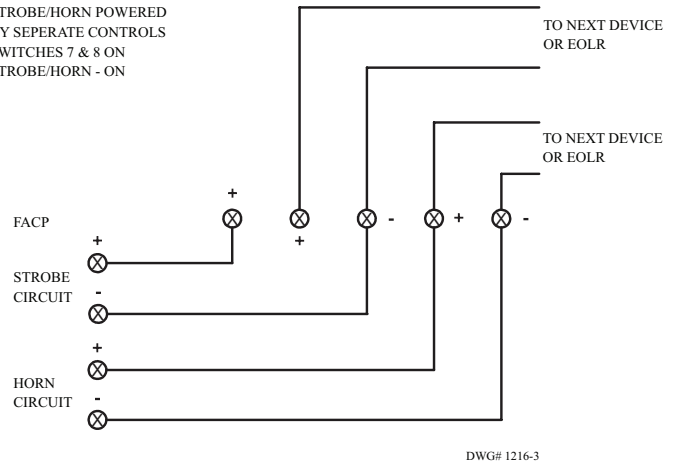
SASH-24

STROBE/HORN POWERED BY SAME CIRCUIT SWITCHES 7 & 8 ON STROBE/HORN - OFF



SASH-24

STROBE/HORN POWERED BY SEPERATE CONTROLS SWITCHES 7 & 8 ON STROBE/HORN - ON



SASH-120

