



Features

- Operates with all Potter PFC-6000 series
- Industry leading 4 line by 40 Character LCD
- Common buttons for navigation
- Common LEDs for status indication
- 31 annunciator per panel
- Maximum wire length of 6,500 feet

Size (W x H x D): 9 13/16" x 7 1/6" x 1 11/16"

Electrical Specs

- Standby Current 20 mA
- Alarm Current 50 mA



S2930 7165-0328: 0195

Product includes a 5 year warranty

Description

The RA-6500 is a LCD remote annunciator for the PFC-6000 Series addressable fire control panels. The RA-6500 communicates using a RS-485 connection to the main panel providing common indication of Alarms, Supervisory, Trouble and other system status and control functions.

The RA-6500 features a 4x40, 160 character LCD display with LED's for Power, Alarm, Supervisory, Trouble, and Silenced conditions. It can be mounted on a single gang electrical box or a four square electrical box. The annunciator is enclosed in a sheet metal enclosure and has a Potter lock securing the keypad.

Installation

The RA-6500 is connected to the fire alarm control panel using a four wire RS-485 connection. The connection is power limited and supervised. Up to thirty-one (31) RA-6500 LCD annunciators can be connected using Class B or Class A wiring.

NOTICE

Install in accordance with compatible installation manual.

Figure 1: Class B Wiring Example

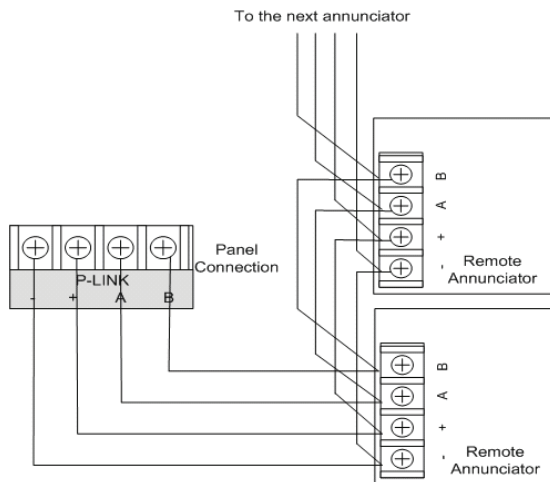


Figure 2: Class A Wiring Example

