

Features

- 18 Gage Steel Enclosure
- Accommodates up to 2 standard size stacker bracket expansion cards
- UUKL Listed for Smoke Control



Description

The AE-2 expansion enclosure accommodates up to 2 standard size PAD100-SLCE, RLY-5, or other stacker bracket sized cards. The enclosure size is (WxHxD) 9 3/4" x 8" x 2 1/2".

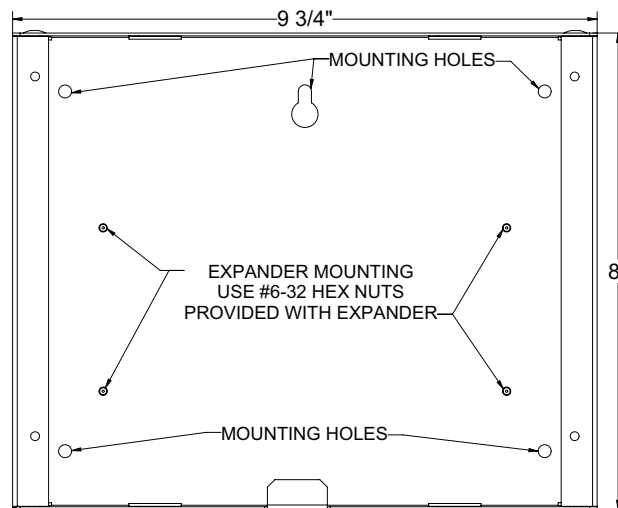
Technical Specifications

Total Expansion Card Capacity	2
Size (WxHxD)	9 3/4" x 8" x 2 1/2"

Installation

Secure the AE-2 enclosure to a suitable surface using #8 sized screws located in four of the five mounting holes provided. One expansion device can be installed in the location shown using the #6-32 sized hex nuts. An additional expander can be stacked on top of the one that is directly attached to the back box.

Fig 1



Ordering Information

Model	Description	Stock No.
AE-2	Expansion Enclosure	3992726