



- Listed under UL 1480 fire protective service
- UL Listed for wall or ceiling mount
- Screw terminal capacity AWG #12
- Field selectable taps from 2 Watts - 8 Watts
- Available 25V RMS and 70.7V RMS models
- Mounts to 4" square back box with extension ring
- Frequency range 400 Hz - 4000 Hz
- Integral blocking capacitor for line supervision
- Available with red or white housing



Amseco's high quality fire alarm speakers are designed to reproduce attention penetrating tones and voice commands for emergency signaling evacuation systems. These highly efficient speakers are available with field selectable taps from 2 Watts - 80 Watts. The speakers are available in two input voltage models, 25V RMS and 70.7V RMS. An in-line capacitor provides the isolation necessary for supervisory use. The FH-45 Series speakers are designed to meet UL 1480 requirements for audible and voice communications. The speakers produce a broad frequency range (required) and voice communication.

Ordering Information

Model Number	Speaker Voltage (V RMS)	Selectable Power Taps (Watts)	Grille Size (inches)	Grille Type	Grille Color
FH-45R-25S	25	2,4,8	5 ½	Square	Red
FH-45W-25S	25	2,4,8	5 ½	Square	White
FH-45R-25R	25	2,4,8	7 ¼	Round	Red
FH-45W-25R	25	2,4,8	7 ¼	Round	White
FH-45R-70S	70.7	2,4,8	5 ½	Square	Red
FH-45W-70S	70.7	2,4,8	5 ½	Square	White
FH-45R-70R	70.7	2,4,8	7 ¼	Round	Red
FH-45W-70R	70.7	2,4,8	7 ¼	Round	White

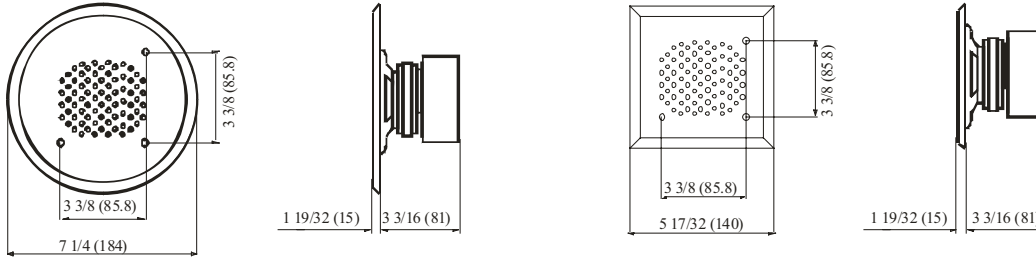
Engineering Specifications

The fire alarm speaker shall be Amseco FH-45 Series or equivalent and capable of reproducing alarm tones or voice commands on 25VRMS or 70.7V RMS audio systems. Speakers shall provide incremental tap settings of 2,4, and 8 Watts, and shall be selected by means of a jumper wire. The speaker shall have a frequency range of 400 to 4000 Hz and shall have an operating temperature between 14°F and 140°F. It will produce a UL sound pressure level at 10 feet up to 96dB. The speaker shall be approved for fire alarm protective signaling use.

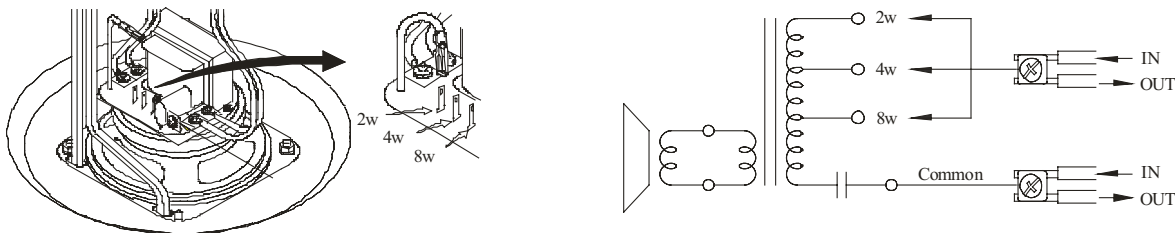
Specifications

Rated Input Voltage (V RMS)	25V			70.7V		
	Input Power (Watts)	2W	4W	8W	2W	4W
Impedance (Ohms)	310	156	78	2.5K	1250	620
Sound Pressure (dB/10ft)	90	93	96	90	93	96
Frequency Response (Hz)	400-4000					
Low Frequency Cut-off (Hz)	200					
Operating Temperature Range	14°F - 140°F (-10°C - 60°C)					

Dimensions: inches (mm)



Multiple Tap Setting

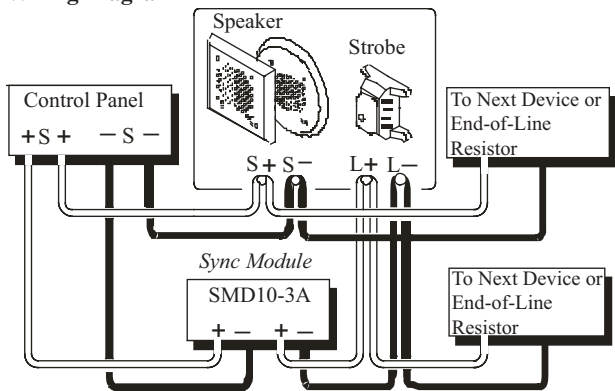


Multiple taps are provided for field wattage selection.

⚠ WARNING

Conductor size (AWG), length, and capacity should be taken into consideration prior to design and installation of these products.

Wiring Diagram



Mounting

