



SFH47-75110 SPEAKER/SELECT-A-STROBE COMBINATION



- Designed to meet or exceed NFPA/ANSI standards and ADA accessibility guidelines
- UL Listed for ceiling or wall mount
- Field selectable taps from ¼ W - 2 Watts
- Available in 25V RMS and 70.7V RMS models
- Screw terminals capacity up to AWG12
- Two field selectable settings, 75cd or 110 cd
- Polarized strobes with wide operating voltage range using filtered DC or unfiltered FWR input voltage
- Mounts to 4" square back box
- Tamper-proof candela selector switch
- Synchronization requires Sync Module (SMD10-3A)
- Available in red or white housing

Amseco's low profile fire alarm speakers are designed to generate attention grabbing tones and voice commands for emergency signaling evacuation applications. The SFH47-75110 Series are designed with the exclusive Select-A-Strobe, which features a unique candela intensity field selector switch for alternating the candela output from 75cd to 110cd. The strobe housing is clearly labeled with vertical "FIRE" lettering. It is polarized for connecting to supervised fire alarm circuits. The strobe is also designed with a xenon flash tube and provides a candela intensity field selector switch for maximum performance. These highly efficient speakers are available with field selectable taps from ¼ W - 2 Watts. The speakers are available in two input voltage models of 25V RMS and 70.7V RMS.

The speaker/strobe can be synchronized by using the SMD10-3A Sync Module to comply with NFPA recommendations concerning photosensitive epilepsy when installing two or more visual appliances within the field of view. The strobe signals are listed for indoor use, ceiling or wall mount, under UL 1971 standard.

Ordering Information

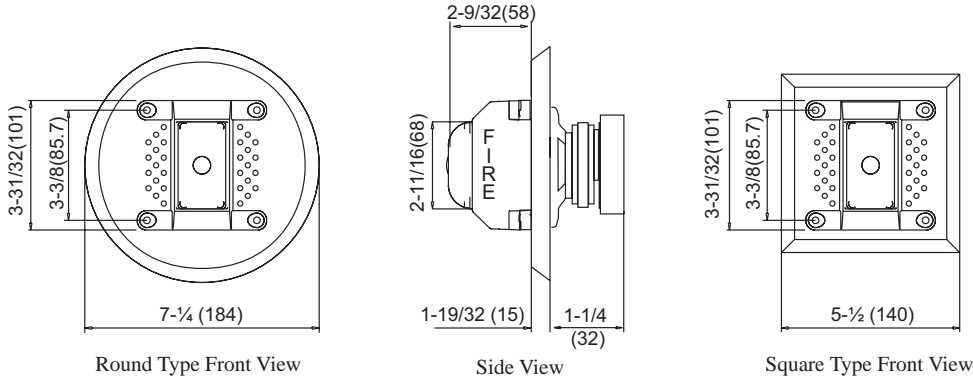
Model Number	Stock Number	Housing Color	Grille Type	Voltage Rating (V RMS)	Input Voltage	Operating Voltage Range	Selectable Strobe Output (cd)	Selectable Wattage	Temperature Operating Range
SFH47-75110R-25S	4650055	Red	Square	25	Regulated 24V DC/ FWR	16-33V DC 16-33V FWR	75 or 110	¼, ½, 1, 2	32°F - 120°F (0°C - 49°C)
SFH47-75110W-25S	4650059	White							
SFH47-75110R-25R	4650054	Red	Round						
SFH47-75110W-25R	4650058	White							
SFH47-75110R-70S	4650057	Red	Square	70.7					
SFH47-75110W-70S	4650061	White							
SFH47-75110R-70R	4650056	Red	Round						
SFH47-75110W-70R	4650060	White							

Specifications

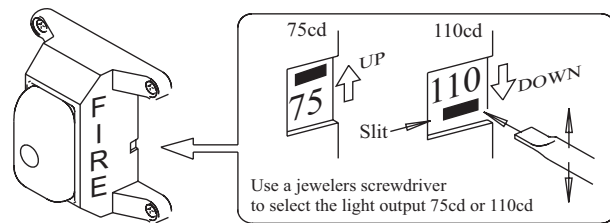
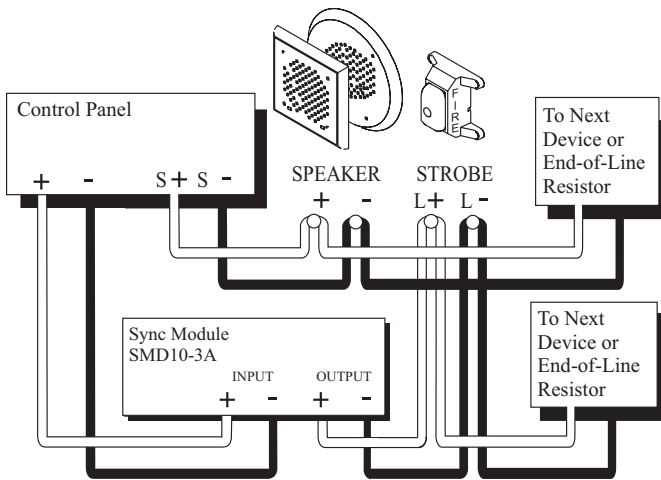
Strobe Light	Maximum RMS Operating Current (mA)	
	Regulated 24V DC (Typical)	Regulated 24V FWR (Typical)
75cd	260 (190)	368 (249)
110cd	387 (250)	489 (320)

Under CAN/ULC 526	ULC Current (mA)	
	Regulated 24V DC	Regulated 24V FWR
75cd	264	596
110cd	324	732

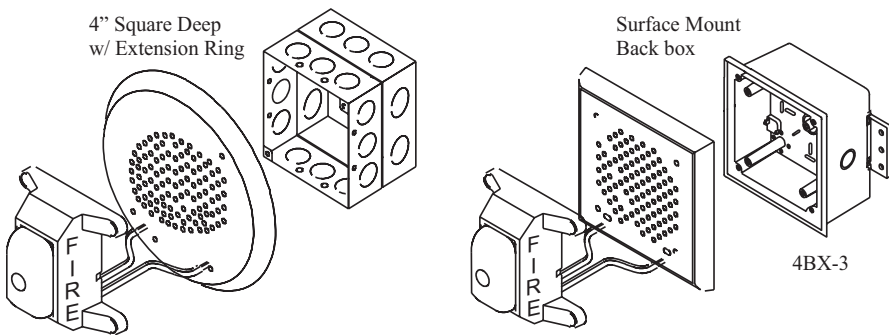
Dimensions



Wiring Diagram



Installation





SFH47-75110
SPEAKER/SELECT-A-STROBE
COMBINATION

	UL Required Minimum Light Output	Horizontal		Vertical	
		75cd	110cd	75cd	110cd
DEGREES	0	75.00	110.00	75.00	110.00
	5-25	67.50	99.00	67.50	99.00
	30	56.25	82.50	67.50	99.00
	35	56.25	82.50	48.75	71.50
	40	56.25	82.50	34.50	50.60
	45	56.25	82.50	25.50	37.40
	50	41.25	60.50	20.25	29.70
	55	33.75	49.50	16.50	24.20
	60	30.00	44.00	13.50	19.80
	65	26.25	38.50	12.00	17.60
	70	26.25	38.50	11.25	16.50
	75	22.50	33.00	9.75	14.30
	80	22.50	33.00	9.00	13.20
	85-90	18.75	27.50	9.00	13.20
	Compound 45	18.00	26.40	18.00	26.40

Speaker Specifications								
Rated Input Voltage	25V RMS				70.7V RMS			
Input Power (Watts)	¼	½	1	2	¼	½	1	2
Impedance (Ohms)	2.5k	1250	620	310	20k	10k	5k	2.5k
Sound Pressure Level (dB/10ft)	75	78	81	84	75	78	81	84
Frequency Response	400-4000 Hz							
Low Frequency Cut-off	200 Hz							
Operating Temperature Range	14°F - 140°F (-10°C - 60°C)							

⚠ WARNING

High voltage may be present inside the light assembly even though power is not connected. If access to the component board is required, the capacitor must be discharged by touching a wire to both ends of the flashtube. **DO NOT** attempt to touch or move the assembly until the capacitor has been discharged.

For indoor use only.

Engineering Specifications

The speaker and visual alarm indicating appliances shall be Amseco model SFH47-75110 or equivalent device. The speaker shall be listed under UL 1480 standard for audible and voice communications and shall be approved for fire protective service. The fire alarm speaker shall be capable of reproducing alarm tones or voice commands on 25V or 70V RMS. Speakers shall provide incremental tap settings of ¼, ½, 1, 2 Watts, and they shall have a frequency range of 400 to 4000 Hz, and shall produce UL sound pressure level at 10 feet up to 84dBA. The strobe shall be listed under UL 1971 standard for signaling devices for the hearing impaired and shall be approved for fire protection service. The candela output shall be field selectable, having a dual setting 75cd or 110cd intensity output. The signaling strobe shall operate on 24V DC from a non-coded regulated DC supply or full-wave rectified, unfiltered supply. The strobe shall be designed to produce one signal flash per second with continuously applied minimum voltage. The speaker is capable of ceiling or wall mounting to a 4" x 4" deep back box. When strobe synchronization is required, the strobe shall be compatible with the Amseco SMD10-3A (daisy chain) or other source of Amseco sync protocol. Audible and signaling devices shall be installed in accordance with current NFPA guidelines.