



- **Speaker:** UL listed for Fire Protective Service  
Field selectable wattage from ¼, ½, 1, and 2 Watts  
Available 24VRMS and 70VRMS models  
Frequency range 400 to 4000 Hz
- **Strobe:** UL listed for ceiling and wall mount  
Available colored light: amber, blue, green, and red  
Operable with 24V regulated DC or FWR (16-33V)  
Polarized strobes with wide operating voltage range using filtered DC or unfiltered FWR input voltage  
Minimum one flash per second (1Hz)  
Selectable light output candela: low, mid, and high  
Synchronization requires SMD10-3A sync module
- **Strobe/Speaker:** NFPA/ANSI compliant  
Screw terminal capacity up to #12 AWG  
RBX-1 back box skirt for surface mount (optional)  
SPC-1 retrofit plate allows mounting to a variety of back boxes (optional)  
Available in red or white housing  
All models mount to a 4" back box

Potter's low profile ceiling mount Colored Light Select-A-Strobe/Speaker CSS25C and CSS70C Series are designed to operate with distribution amplifiers having an output either 25V RMS or 70V RMS for emergency evacuation system and fire protection signaling systems. The speaker series is listed under UL1480, Speaker for Fire Alarm, Emergency, and Commercial and Professional Use, and the colored light lens strobe series is listed in compliance with UL1638, Visual Signaling. Both meet or exceed NFPA/ANSI standards.

CSS25C speaker series provide a 25V RMS input and CSS70C provide 70V RMS with a colored light strobe. The speakers incorporate a high efficiency speaker to reproduce a clear audible sound for maximum output at minimum power across a frequency range of 400 Hz to 4000 Hz with a capacitive input to allow for DC supervision. The series provides a multiple field selectable four wattage taps of ¼, ½, 1, and 2 Watts. The IN/OUT screw terminals accept #12 to #18 AWG wires.

The colored light strobe can be selected either low, medium, or high, by a selectable slide switch located on the housing. The colored light is available in amber, blue, green, or red. The light output candela ratings vary depending on the lens color. The series can be mounted on standard 4 inch electrical boxes and is available in red or white housing color. In those instances where two or more Amseco horns and/or strobes are connected and require a synchronized code 3 temporal pattern and/or a synchronized strobe flash, all models can be synchronized when used in conjunction with Amseco UL listed Sync Module SMD10-3A to meet the latest code.

#### Engineering Specifications

The speaker and colored visual alarm indicating appliance shall be Amseco Model CSS25C, CSS70C, or equivalent device. The speaker shall be NFPA/ANSI compliant and listed under UL1480 standard for fire protective service. The strobe shall be listed under UL 1638 standard for signaling devices and shall be approved for fire protective and emergency services. In addition to lens color, the reflective mirror shall also be of the same color. The amber, blue, green, and red lens shall be listed in compliance with UL 1638 Visual Appliance Private Mode Emergency and General Utility, or Emergency for use in indoor applications. The candela output shall be field selectable, having three settings of high, medium, or low light intensity output. The speaker shall operate with distribution amplifiers having an output of either 25V RMS or 70V RMS for emergency evacuation system and fire protection signaling systems. The speaker shall have a field selectable wattage from ¼, ½, 1, or 2 Watts, with a frequency range of 400 to 4000 Hz. The 24V DC signaling strobe shall be designed to produce a signal flash of one flash per second with continuously applied minimum voltage. The strobe/speaker shall be capable of ceiling and wall mounting to a variety of back boxes using the Potter SMD10-3A (daisy chain) or other source of Potter sync protocol.

#### Ordering Information

Stock Number	Model Number	Strobe Color	Housing Color	Input Voltage	Voltage Rating (V RMS)	Flash Rate (times/min.)	Light Output	Mounting Type
4850001	CSS25C-AW	Amber	White	Regulated 24V DC/FWR	25	60	Low, Mid, or High	Ceiling or Wall
4850002	CSS25C-BW	Blue						
4850004	CSS70C-BW	Blue						
4850005	CSS70C-GW	Green						

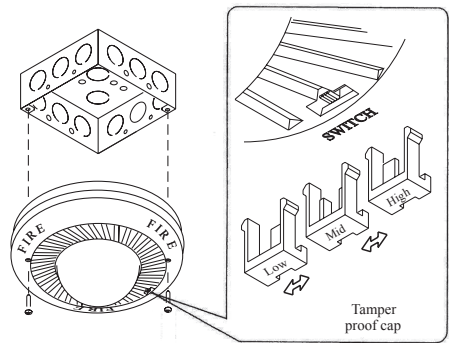
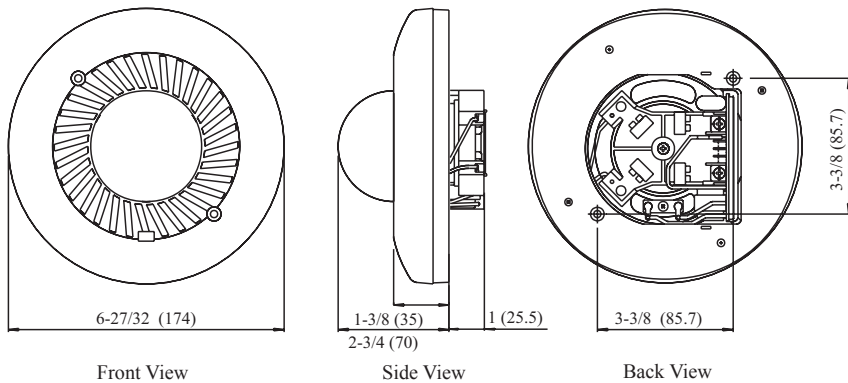
Contact Potter Customer Service for stock availability before ordering

Speaker Specifications								
Voltage	25V RMS				70.7V RMS			
Input Power (Watts)	¼	½	1	2	¼	½	1	2
Impedance (k Ohms)	2.5	1.25	0.62	0.31	20	10	5	2.5
Sound Pressure (dB/10ft)	75	78	81	84	75	78	81	84
Frequency Response	400 - 4000 Hz							
Low Frequency Cut-Off	200 Hz							

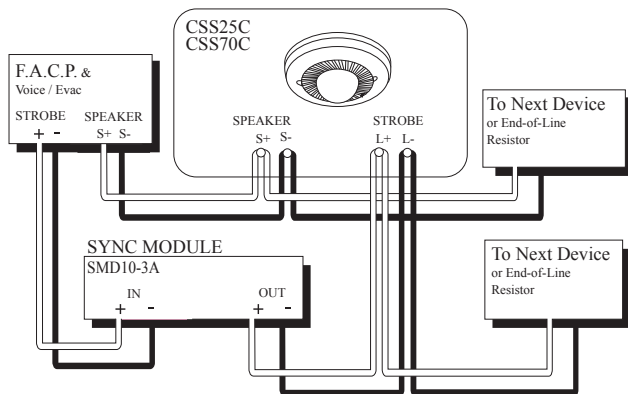
Strobe Light	Maximum RMS Operating Current (mA)	
	Regulated 24V DC (Typical)	Regulated 24V FWR (Typical)
Low	116 (85)	162 (130)
Mid	172 (124)	236 (185)
High	234 (160)	294 (230)

UL Required Minimum Light Output	Ceiling Mount			
	30cd	75cd	110cd	
DEGREES	0	30.00	75.00	110.00
	5-25	27.00	67.50	99.00
	30-45	22.50	56.25	82.50
	50	16.50	41.25	60.50
	55	13.50	33.75	49.50
	60	12.00	30.00	44.00
	65-70	10.50	26.25	38.50
	75-80	9.00	22.50	33.00
	85-90	7.50	18.75	27.50
	Compound 45	7.20	18.00	26.40

#### Dimensions: inches (mm)



#### Wiring Diagram



#### Mounting

