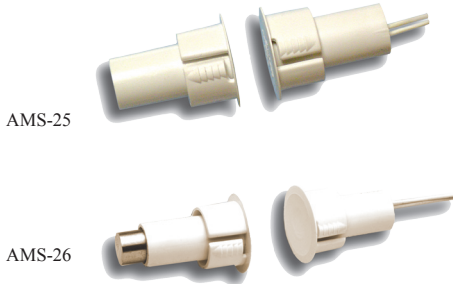




AMS-25/26 SERIES

3/4" PRESS FIT MAGNETIC CONTACT

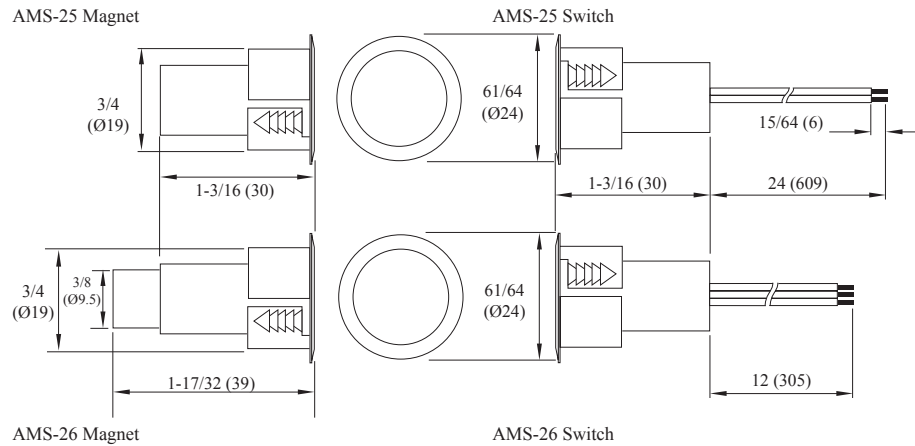


- UL Listed
- 3/4" operating gap (AMS-25 Series)
- 1 1/4" operating gap (AMS-26 Series)
- Self-locking
- Available in brown, gray, or ivory

Application

The AMS-25/26 Series is a UL listed contact designed to provide a clean and easy installation for standard openings. The AMS-25 provides a standard 3/4" operating gap and the AMS-26 provides a wide 1 1/4" operating gap. These contacts are perfect for commercial applications where steel doors are common.

Dimensions



Specifications

Model	Color	Stock Number	Contact	Contact Rating	Contact Type	Max. Carry Current	Max. Switching Current	Breakdown Voltage	Operating Gap	Mounting Method	Operating Temperature Range
AMS-25A	Brown	4350051	22AWG 24" Lead	10VA	Form A N.O	1.0 Amp	.3 Amp	200VDC	3/4"	Press fit	32°F to 120°F (0°C to 49°C)
	Gray	4350158									
	Ivory	4350159									
AMS-25B	Brown	4350052	22AWG 12" Lead	3VA	Form C N.O./N.C.	.5 Amp	-	150VDC			
	Gray	4350157									
AMS-26A	Brown	4350056	22AWG 12" Lead	10VA	Form A N.O.	1.0 Amp	.3 Amp	200VDC	1 1/4"		
	Gray	4350160									
AMS-26B	Brown	4350232	22AWG 12" Lead	3VA	Form C N.O./N.C.	.5 Amp	-	150VDC			
	Gray	4350233									