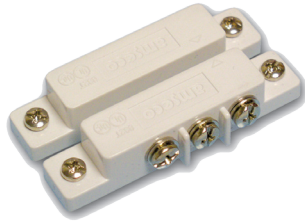


## AMS-38 MECHANICAL SURFACE MOUNT CONTACT

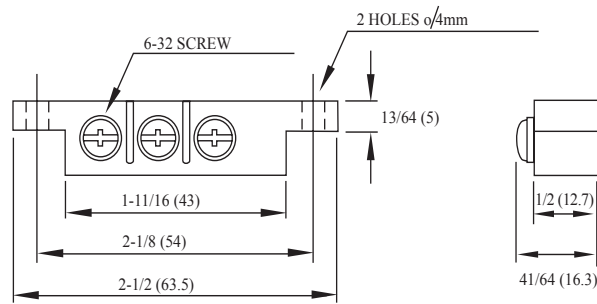


- UL and ULC Listed
- AC rated
- 5/8" operating gap
- Alnico 5 magnet
- Available in white, brown, gray, or ivory

### Application

The AMS-38 Mechanical Surface Mount Contact is a UL listed and AC rated contact designed to endure higher voltages than other standard reed contact switches. The AMS-38 can be used to protect openings or to activate other applications such as lighting, sounders, or any other secondary function.

### Dimensions



### Specifications

Model	Color	Stock Number	Contact	Electrical Rating	Contact Type	Operating Gap	Mounting Method
AMS-38	White	4370017	Terminal	300V Max. 3 Amp Max.	Form C N.O./N.C.	5/8"	Screw
	Brown	4370013					
	Gray	4370015					
	Ivory	4370003					