



- UL Listed
- 120 VAC operation
- Outdoor or indoor
- Pre-wire back plate
- Universal back plate mounting (single gang, double gang, octagon, or 4" square)
- Single screw mounting
- Low current draw
- BBX-5 weather proof backbox included



UL Listed indoor/outdoor SL-120 Series Select-A-Strobe® is designed to provide visual signaling for a fire and burglar alarm protection system and notification signals for the purpose of life safety and protection.

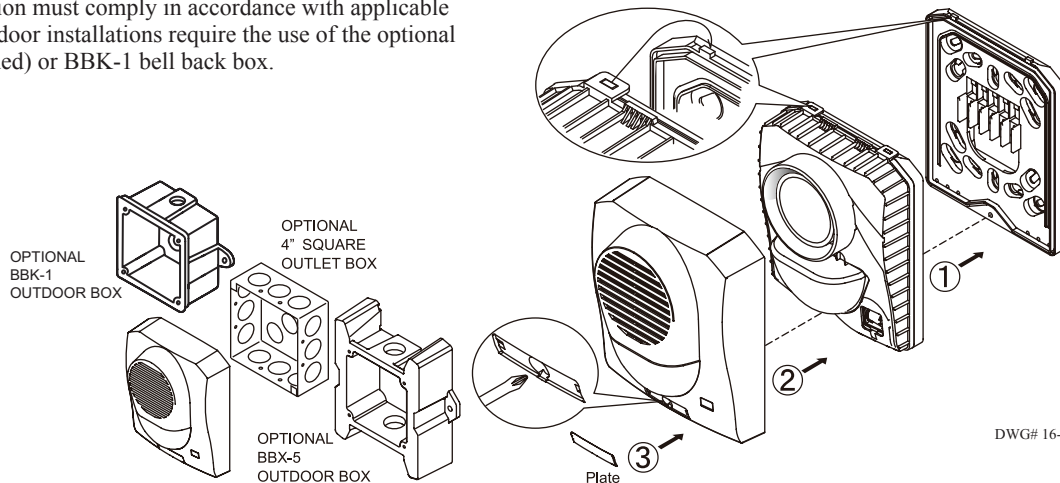
The series operates with a 120 VAC system between 96 VAC and 132 VAC. The devices can be interfaced with pull stations, flow

switches and sprinkler systems used for residential, commercial and industrial applications.

the SL-120 Series is available with a red or white housing and a clear lens.

### Installation

**Note:** Installation must comply in accordance with applicable standards. Outdoor installations require the use of the optional BBX-5 (included) or BBK-1 bell back box.

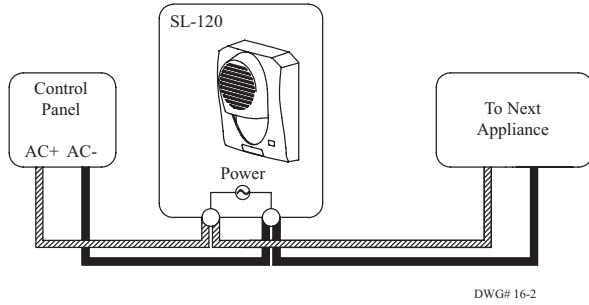


DWG# 16-1

### Ordering Information

Stock Number	Model Number	Description	Color
4700060	SL-120R	Selectable strobe only	Red
4700061	SL-120W	Selectable strobe only	White
4270048	BBX-5	Back box (included)	Red
4270049			White
1500001	BBK-1	Bell back box	Red

**Wiring Diagram**

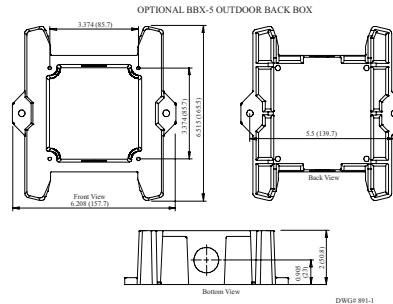
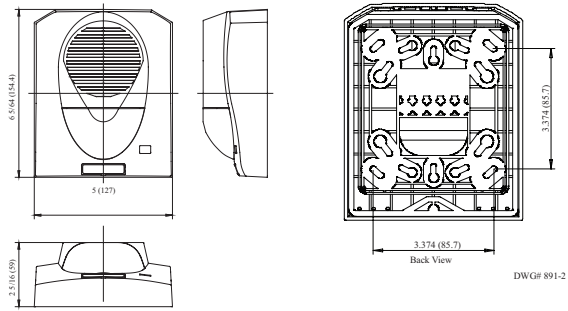


**⚠ WARNING**

High voltage may be present inside the light assembly even though power is not connected. If access to the component board is required (removal or replacement), the capacitor must be discharged by touching a wire to both ends of the flashtube.

DO NOT attempt to touch or move the assembly until the capacitor has been discharged.

**Dimensions: inches (mm)**



Includes 4 ea. #8-32 x 3/4 screws

**Specifications**

Series	Rated Voltage	Max RMS Operating Current (mArms)	Light Output	Flash Rate	Operating Voltage Range	Operating Temperature Range	Construction Type	Materials
SL-120	120 VAC 60Hz	109	110 cd on axis	72 per min.	96-132 VAC	-40°F to 151°F (-40°C to 66°C)	indoor/ outdoor	ABS housing, polycarbonate lens

**Engineering Specifications**

The contractor shall provide and install a Potter SL-120 strobe. The unit shall operate on a nominal 120 VAC input. The unit shall be listed to UL standard 1638, General Signaling for indoor and outdoor applications. The strobe shall have a 110 candela rating. The unit shall include a weather proof back box as part of

the standard package. The device shall have a universal pre-wire mounting plate for the ease of connection. The universal back plate shall allow for connection to a single gang, double gang, 4" square standard or deep box, BBK-1 weather proof bell back box or the BBX-5 custom weather proof back box.