



Call for additional listings

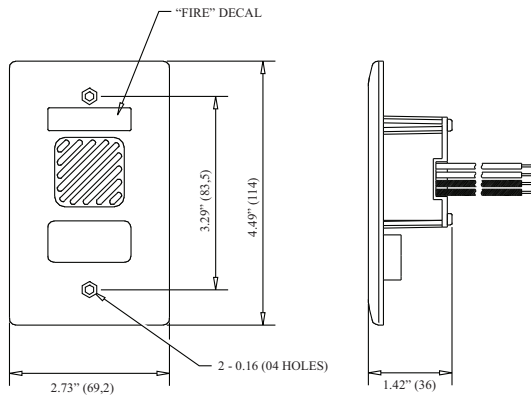
- Piezo Sounder for Fire Alarm Indoor applications
- Low current and High Sound Output
- UL listed
- Wide range operating temperature -4°F to +140°F
- Ideal for Residential or Commercial application
- 6 3/4" wire leads for Easy field wiring
- Available in red or white
- FIRE decal included

Stock number:
1610224 - MH-120R
1610225 - MH-120W

Potter's MH-120 is an inexpensive alternative for a low current 120 volt AC piezo Remote Signaling Device that is ideally suited for hotels, motels, apartments, institutional and residential fire alarm systems where a dependable alarm signal is required. The MH-120 is comprised of a single gang size ABS plastic plate and a 120 VAC

piezo horn. The horn emits a high dB output with a very small current draw. The MH-120 is available in red and white and mounts on a single gang box. Leads are provided for quick connection to the wiring circuit.

Dimensions



Specifications

Rated Voltage	120VAC	
Rated Current	15mA	
Sound Level	UL Spherical Measurement	82dBA
	Indoor Measurement	97dBA
Operating Temperature Range	-20°C to 60°C (-4°F to +140°F)	
Plate	Plastics (polyethylene terephthalate)	
	Color selection: red/white	
Weight	2.2 oz. (63g)	
Wire Length	6-3/4"	
Mounting Type	Wall or ceiling mount	

Note: Sound Level in the indoor installation may vary depending upon the space