



# Model VSD-208 FIRE & BURGLAR VOICE ALERT SIREN DRIVER

**MULTI-TONE HIGH POWER SIREN DRIVER Including Barking Dog Sound, Slow Whoop Sound, etc. with 32 mode Selections.**

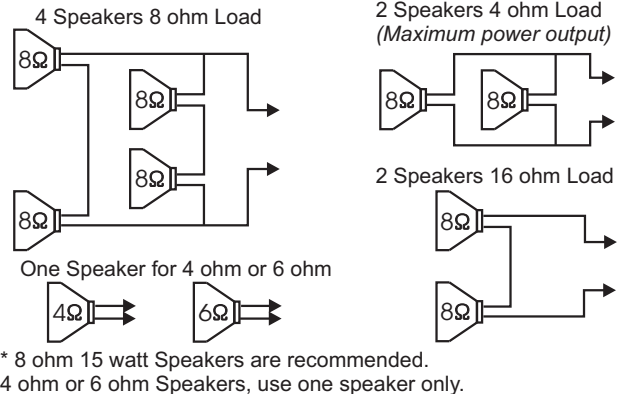
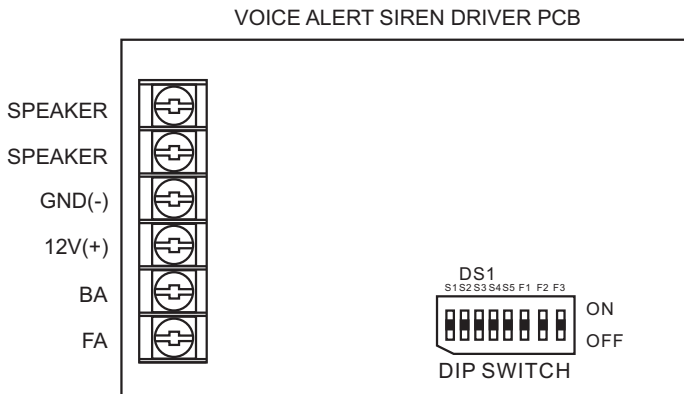
## FEATURES

- Fire/Burglar English voice message
- Fire Temporal Pattern
- Furious barking dogs
- 32 different selectable modes
- 8-distinctive sound options
- Field selectable Hi/Lo input levels
- Use with 4,8 and 16 ohms speakers
- Operates on 9~18 VDC
- Compatible with AMSECO Horn/Speaker SHX-51, SH-4, FHS-2 and FHS-3



## WIRING

## Multiple Speaker Wiring Configuration



\* 8 ohm 15 watt Speakers are recommended.  
4 ohm or 6 ohm Speakers, use one speaker only.

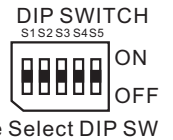
## TRIGGER INPUT

BA Terminal : Steady Signal -> Burglar, Pulsating Signal(0.5~1.5SEC.) -> Fire  
FA Terminal : Steady Signal -> Fire

## JUMPER SETTING

F1 : BA, FA Input trigger signal level  
F2 : English/Spanish Message Selectable  
F3 : Temporal Pattern ON/OFF Selectable

F1 - ON HIGH(+12V DC)  
F1 - OFF LOW  
F2 - ON English.  
F2 - OFF Spanish.  
F3 - ON Temporal Pattern  
F3 - OFF Non Temporal Pattern



Voice Select DIP SW

## VOICE ALERT SIREN MODE SELECTION TABLE

DIP SWITCH SELECTION						VOICE AND SOUND OUTPUT			DIP SWITCH SELECTION						VOICE AND SOUND OUTPUT			
NO	S1	S2	S3	S4	S5	BURGLAR ALERT	FIRE ALERT		NO	S1	S2	S3	S4	S5	BURGLAR ALERT	FIRE ALERT		
							JP3 OFF	JP3 ON								JP3 OFF	JP3 ON	
1	ON	ON	ON	ON	ON	TEST MODE 1	TEST MODE 1	TEST MODE 3	17	OFF	ON	ON	ON	ON	(BGE)+(BGS) + (A)	(FIE)+(FIS) + (H)	(D)	
2	ON	ON	ON	ON	OFF	(BG*) + (A)	(F1*) + (H)		18	OFF	ON	ON	ON	OFF	(BGE)+(BGS) + (C)	(FIE)+(FIS) + (G)		
3	ON	ON	ON	OFF	ON	(BG*) + (A)	(F1*) + (G)		19	OFF	ON	ON	OFF	ON	(BGE)+(BGS) + (D)	(FIE)+(FIS) + (F)		
4	ON	ON	ON	OFF	OFF	(BG*) + (C)	(F1*) + (F)	(B)	20	OFF	ON	ON	OFF	OFF	(BGE)+(BGS) + (E)	(FIE)+(FIS) + (D)		
5	ON	ON	OFF	ON	ON	(BG*) + (C)	(F1*) + (D)		21	OFF	ON	OFF	ON	ON	(BGE)+(BGS) + (F)	(FIE)+(FIS) + (C)		
6	ON	ON	OFF	ON	OFF	(BG*) + (D)	(F1*) + (C)		22	OFF	ON	OFF	ON	OFF	(BGE)+(BGS) + (G)	(FIE)+(FIS) + (B)		
7	ON	ON	OFF	OFF	ON	(BG*) + (D)	(F1*) + (B)		23	OFF	ON	OFF	OFF	ON	(BGE)+(BGS) + (H)	(FIE)+(FIS) + (A)		
8	ON	ON	OFF	OFF	OFF	(BG*) + (E)	(F1*) + (A)		24	OFF	ON	OFF	OFF	OFF	(BGE)+(BGS)+(E)+(A)	(FIE)+(FIS)+(D)+(C)		
9	ON	OFF	ON	ON	ON	(BG*) + (E)	(F1*) + (H)		25	OFF	OFF	ON	ON	ON	(BGE)+(BGS)+(E)+(F)	(FIE)+(FIS)+(D)+(G)		TEST MODE 4
10	ON	OFF	ON	ON	OFF	(BG*) + (F)	(F1*) + (G)		26	OFF	OFF	ON	ON	OFF	(A)	(B)		(H)
11	ON	OFF	ON	OFF	ON	(BG*) + (F)	(F1*) + (F)		27	OFF	OFF	ON	OFF	ON	(C)	(A)		
12	ON	OFF	ON	OFF	OFF	(BG*) + (G)	(F1*) + (D)	(C)	28	OFF	OFF	ON	OFF	OFF	(D)	(C)		
13	ON	OFF	OFF	ON	ON	(BG*) + (G)	(F1*) + (C)		29	OFF	OFF	OFF	ON	ON	(E)	(G)		
14	ON	OFF	OFF	ON	OFF	(BG*) + (H)	(F1*) + (B)		30	OFF	OFF	OFF	ON	OFF	(F)	(D)		
15	ON	OFF	OFF	OFF	ON	(BG*) + (H)	(F1*) + (A)		31	OFF	OFF	OFF	OFF	ON	(G)	(H)		
16	ON	OFF	OFF	OFF	OFF	(BG*)	(F1*)	(D)	32	OFF	OFF	OFF	OFF	OFF	(BGE) + (BGS)	(FIE) + (FIS)		

### DIP SWITCH(DS1) F2 ON:ENGLISH MODE

**(BGE) = BURGLAR VOICE ALERT**

" Intruder, intruder.

You have entered a restricted area,  
Authorities are responding. "

### DIP SWITCH(DS1) F2 OFF:SPANISH MODE

**(BGS) = BURGLAR VOICE ALERT**

" Intruso, Intruso. ¡Salga de inmediato!

Usted ha entrado sin autorizacion.

El personal de seguridad esta en camino. "

**(FIE) = FIRE VOICE ALERT**

" Fire - Fire -

Leave immediately "

**(FIS) = FIRE VOICE ALERT**

" Incendio, incendio.

¡Salga de inmediato! "

### SOUND

(A) POLICE SIREN

(B) FIRE BELL

(C) FAST WARBLE TONE

(D) BUZZER TONE

(E) BARKING DOGS SOUND

(F) WARBLE SIREN SOUND

(G) SLOW WHOOP SOUND

(H) PULSING BELL

### TEST MODE 1

**BURGLAR ALERT**

(BG)+(A)+(C)+(D)+(E)+(F)+(G)+(H)

**FIRE ALERT**

(F)+(A)+(B)+(C)+(D)+(F)+(G)+(H)

**TEST MODE 3**

FIRE+(B)+(B), FIRE+(C)+(C),

FIRE+(D)+(D), FIRE+(H)+(H)

**TEST MODE 4**

(B)+(C)+(D)+(H)

### \* SPECIFICATIONS:

INPUT VOLTAGE: 12V DC

CURRENT DRAW: IDLE 1.2 mA

4 OHM LOAD 1.3A min - 1.9A max.

8 OHM LOAD 0.8A min - 1.1A max.

16 OHM LOAD 0.5A min - 0.8A max.

DIMENSIONS : 2-5/16"(67mm)W x 4"(100mm)L x 1-5/16"(32mm)H

Potter Electric Signal Company

5757 Phantom Dr. Suite 125

St. Louis, Missouri 63042

Phone (800)325-3936, Fax (800)768-8377

<http://www.pottersignal.com>