

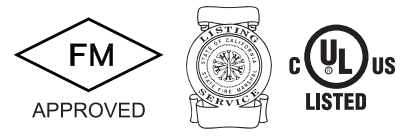
Features

- 4 line by 20 Character LCD
- Separate LED's for: Alarm Supervisory and Trouble per zone, Outputs activated or in trouble
- Common buttons for navigation
- Common LEDs for system status indication
- 31 annunciator per panel
- Maximum wire length of 6,500 feet
- Product includes a 5 year warranty



NOTICE

This document contains important information on the installation and operation of the RA-4410G3. Please read all instructions carefully and notify the building owner or their authorized representative before any work is done on the fire sprinkler or fire alarm system. A copy of this document is required by NFPA 72 to be maintained on site.



Description

The RA-4410G3 is a LCD remote annunciator for the PFC-4410G3 series releasing control panels. The RA-4410G3 communicates using a RS-485 connection to the Main Panel providing common indication of Alarms, Supervisory, Trouble and other system status and control functions.

The RA-4410G3 features a 4x20 LCD display with LED's for Power, Alarm, Supervisory, Trouble, Silenced and Discharge / Pre-discharge conditions for the system on each input and output zone. It can be mounted on a single gang electrical box or a four square electrical box. The annunciator is enclosed in a sheet metal enclosure and has a Potter lock securing the keypad.

Technical Specifications

Standby Current (24 VDC)	20 mA
Alarm Current (24 VDC)	25 mA
Operating Temperature	0°C-49°C (32°F-120°F)
Environmental Limitations	Indoor Dry Use
Maximum Wire Length	6500 ft.
Maximum Annunciators	31
Size (WxHxD)	10" x 7-7/8" x 1-5/8"
Wire Gauge	12 AWG-22 AWG

*Specifications subject to change without notice

WARNING

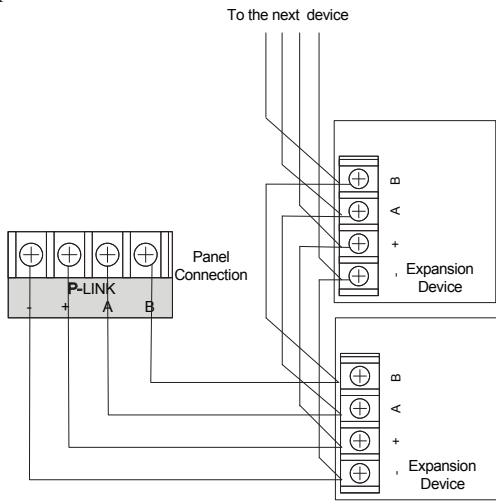
- Installation must be performed by qualified personnel and in accordance with all national and local codes and ordinances.
- Shock hazard. Disconnect power source before servicing. Serious injury or death could result.
- Read all instructions carefully and understand them before starting installation. Save instructions for future use. Failure to read and understand instructions could result in improper operation of device resulting in serious injury or death.

Installation

The RA-4410G3 is connected to the PFC-4410G3 releasing control panels using a four wire RS-485 connection. The connection is power limited and supervised. Up to thirty-one (31) RA-4410G3 LCD annunciators can be connected using Class B or Class A wiring. Class A wiring requires an optional Class A Expander.

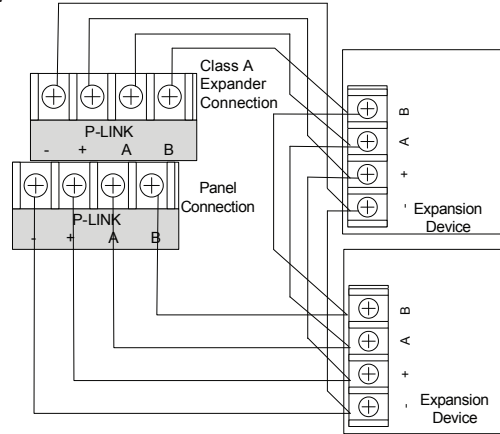
RA-4410G3 Class B Wiring Example

Fig 1



RA-4410G3 Class A Wiring Example

Fig 2



⚠ WARNING

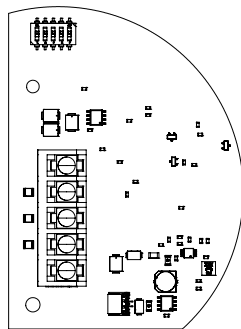
An uninsulated section of a single conductor should not be looped around the terminal and serve as two separate connections. The wire must be severed, thereby providing supervision of the connection in the event that the wire becomes dislodged from under the terminal. Failure to sever the wire may render the device inoperable risking severe property damage and loss of life. Do not strip wire beyond 3/8" of length or expose an uninsulated conductor beyond the edge of the terminal block. When using stranded wire, capture all strands under the clamping plate.

Address Settings

The RA-4410G3 address is set by dip switch S21 located on the back of the RA-4410G3. The address must be set in the range of 1 to 31 to be recognized by the control panel.

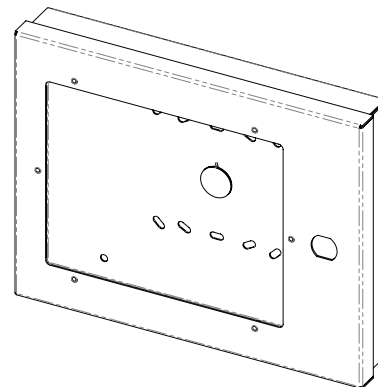
RA-4410G3 Remote (Panel View)

Fig 3

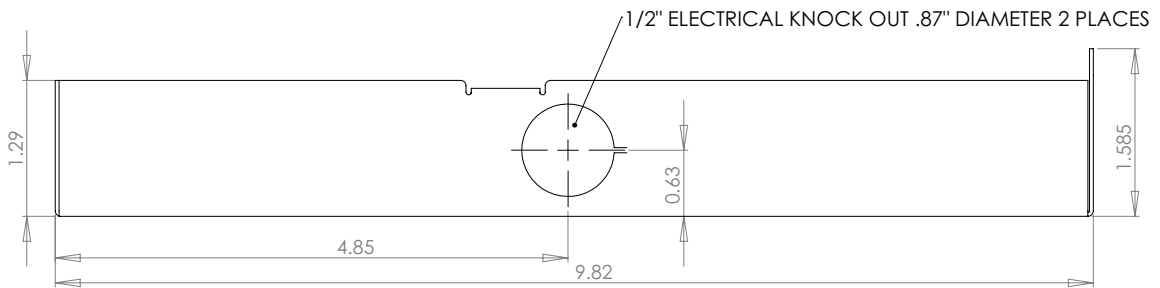
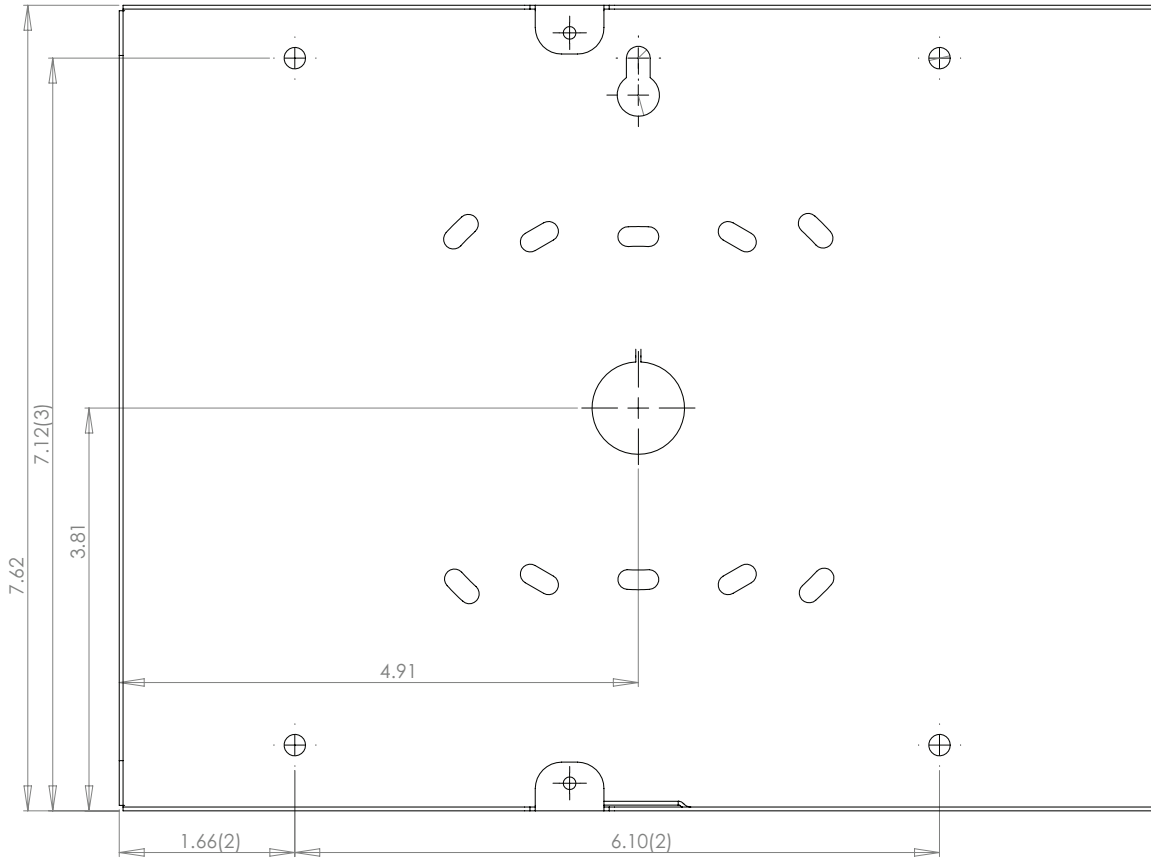


RA-4410G3 Enclosure

Fig 4



Dimensions



Dip Switch Settings

Refer to the table below for dip switch settings per Annunciator Address.

Annunciator Address	Dip Switch Settings				
	SW-1	SW-2	SW-3	SW-4	SW-5
1	On	Off	Off	Off	Off
2	Off	On	Off	Off	Off
3	On	On	Off	Off	Off
4	Off	Off	On	Off	Off
5	On	Off	On	Off	Off
6	Off	On	On	Off	Off
7	On	On	On	Off	Off
8	Off	Off	Off	On	Off
9	On	Off	Off	On	Off
10	Off	On	Off	On	Off
11	On	On	Off	On	Off
12	Off	Off	On	On	Off
13	On	Off	On	On	Off
14	Off	On	On	On	Off
15	On	On	On	On	Off
16	Off	Off	Off	Off	On

Annunciator Address	Dip Switch Settings				
	SW-1	SW-2	SW-3	SW-4	SW-5
17	On	Off	Off	Off	On
18	Off	On	Off	Off	On
19	On	On	Off	Off	On
20	Off	Off	On	Off	On
21	On	Off	On	Off	On
22	Off	On	On	Off	On
23	On	On	On	Off	On
24	Off	Off	Off	On	On
25	On	Off	Off	On	On
26	Off	On	Off	On	On
27	On	On	Off	On	On
28	Off	Off	On	On	On
29	On	Off	On	On	On
30	Off	On	On	On	On
31	On	On	On	On	On

Ordering Information

Model	Description	Stock No.
RA-4410G3	LCD Annunciator - RED	3006740