



**Features**

Standby Current	20 mA
Alarm Current	25 mA
Operating Temperature	0°C-49°C (32°F-120°F) 10%-93% @ 30°C (86°F) non-condensing humidity
Maximum Wire Length	6500 FT
Maximum Annunciators	31
Size (WxHxD)	8" x 6-1/4" x 1-5/8"
Wire Gauge	14 AWG-22 AWG



**Description**

The RA-6075R is a LCD remote annunciator for the PFC-6075R addressable releasing fire control panel. The RA-6075R communicates using a RS-485 connection to the main panel providing common indication of Alarms, Supervisory, Trouble and other system status and control functions.

The RA-6075R features a 16x2 LCD display with LED's for Power, Alarm, Supervisory, Trouble, and Silenced conditions. It also provides Release and Pre-Release LED's to indicate releasing status. It can be mounted on a single gang electrical box or a two square electrical box. The annunciator is enclosed in a sheet metal enclosure and has a Potter lock securing the keypad.

**Installation**

The RA-6075R is connected to the PFC-6075R using a four wire RS-485 connection. The connection is power limited and supervised. Up to thirty-one (31) RA-6075R LCD annunciators can be connected using Class B or Class A wiring. Class A wiring requires an optional CA-6075 Class A Expander.

**NOTICE**

Install in accordance with installation manual, #5403594.

Figure 1: RA-6075R Class B Wiring Example

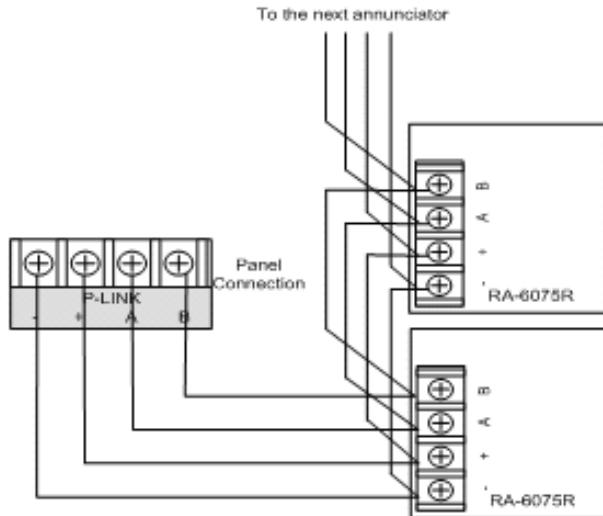
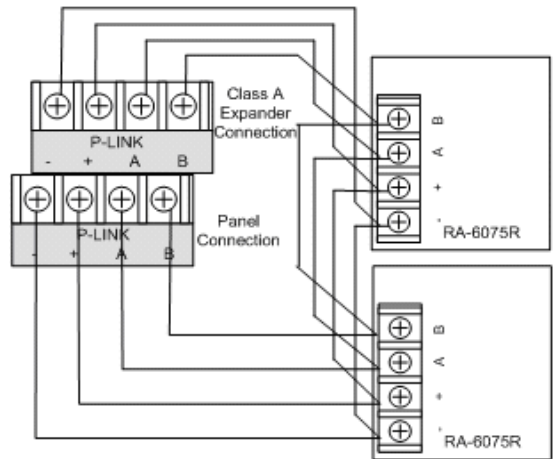


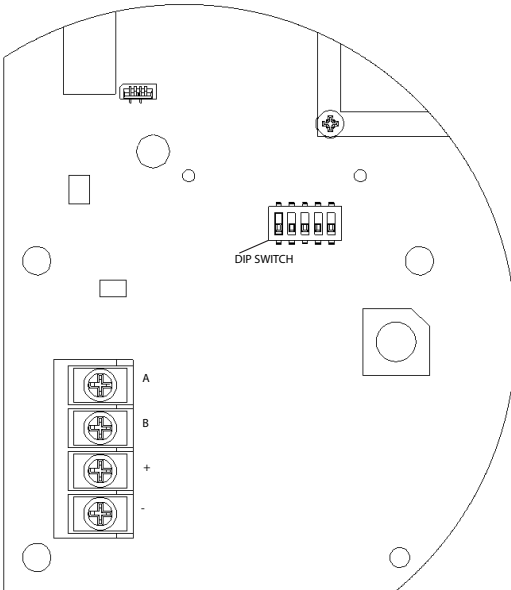
Figure 2: RA-6075R Class A Wiring Example



**Address Settings**

The RA-6075R address is set by dip switch S1 located on the back of the RA-6075R. The address must be set in the range of 1 to 31 to be recognized by the control panel.

Figure 3: RA-6075R Class A (back panel view)



**Dip Switch Settings**

Refer to the table below for dip switch settings per Annunciator Address.

Annunciator Address	Dip Switch Settings				
	SW-1	SW-2	SW-3	SW-4	SW-5
1	On	Off	Off	Off	Off
2	Off	On	Off	Off	Off
3	On	On	Off	Off	Off
4	Off	Off	On	Off	Off
5	On	Off	On	Off	Off
6	Off	On	On	Off	Off
7	On	On	On	Off	Off
8	Off	Off	Off	On	Off
9	On	Off	Off	On	Off
10	Off	On	Off	On	Off
11	On	On	Off	On	Off
12	Off	Off	On	On	Off
13	On	Off	On	On	Off
14	Off	On	On	On	Off
15	On	On	On	On	Off
16	Off	Off	Off	Off	On

Annunciator Address	Dip Switch Settings				
	SW-1	SW-2	SW-3	SW-4	SW-5
17	On	Off	Off	Off	On
18	Off	On	Off	Off	On
19	On	On	Off	Off	On
20	Off	Off	On	Off	On
21	On	Off	On	Off	On
22	Off	On	On	Off	On
23	On	On	On	Off	On
24	Off	Off	Off	On	On
25	On	Off	Off	On	On
26	Off	On	Off	On	On
27	On	On	Off	On	On
28	Off	Off	On	On	On
29	On	Off	On	On	On
30	Off	On	On	On	On
31	On	On	On	On	On