

Stock No. 3992667

Product includes a 5 year warranty

Features

- Mounts with included stacker bracket
- May mount in panel, accessory cabinet, AE-8 or AE-14 Accessory Cabinets or the PSN-1000/E Power Supply
- Provides 5 user configurable relays
- Contact Rating of 24VDC / 3.0A, 125 VAC / 3.0A (resistive)
- Maximum 31 RLY-5s per panel
- Maximum P-Link wire length of 6,500 feet.
- Compatible with PFC-6000 & Potter Plus Series

Electrical Specs

P-Link Current (24 VDC):

- 35 mA (Alarm)
- 25 mA (Standby)

RLY PWR Current (16 VDC – 33 VDC):

- 135 mA (Alarm)
- 10 mA (Standby)

Note: RLY PWR can be provided by any fire listed source. Output power must be 16 VDC–33 VDC and must be power limited.

Description

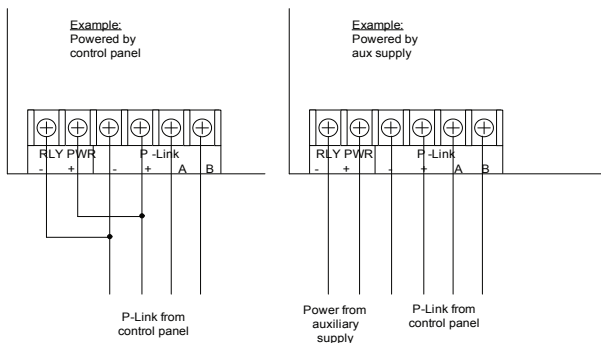
The RLY-5 is a relay expander for the PFC-6000 and Potter Plus series panels. The RLY-5 communicates with the control panel via the Potter P-Link communication bus providing 5 user configurable relay outputs. The relay board is mounted in either the control panel cabinet, the PSN-1000/E, the AE-8 or the AE-14 expander cabinet. Each card is mounted to the exclusive Stacker Bracket for secure and accessible mounting.

Installation

The RLY-5 is connected to the PFC-6000 and Potter Plus series panels using a four wire RS-485 connection. This connection is power limited and supervised. The RLY-5 can be installed in the PSN-1000/E power supply, the AE-8 Accessory Enclosure, AE-14 Accessory Enclosure, or inside the large PFC-6000 or Potter Plus series enclosure using the supplied bracket.

Note: All connections to relay contacts shall be power limited.

RLY-5 Wiring to Control Panel or Auxiliary Power Supply Examples



RLY-5 Normally Open and Normally Closed Contacts

