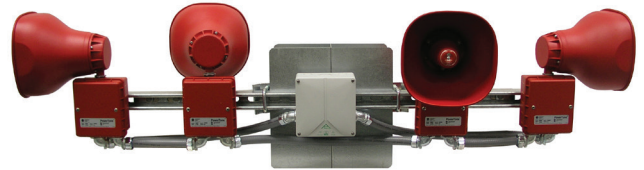


Features

- Wide selection of tones (U-TC)
- Multiple tone capability
- Voice capable with PTCK audio connector card
- Dust and moisture proof sealed die-cast aluminum housing
- 4 speaker cluster for 360° coverage
- Indoor and outdoor mounting



Description

CPG Signals Model ASHP PowerTone® Amplified Speaker Clusters produce a crisp clear high decibel tone and/or voice signal. A tone can be generated by using the U-TC card, or a voice can be generated by any 25 or 70Vrms audio system with the PTCK card. The speaker cone and projector are made of spun aluminum.

The speaker cluster may be mounted to an I-beam. A cluster comes with four ASHP PowerTone® speakers for 360° coverage. The ASHP is suited for areas with high ambient noise levels and where a unique audible signal is required.

The circuitry and connector card are contained in a dust and moisture proof sealed die-cast red aluminum housing. An internal gain control allows for volume adjustment.

Technical Specifications

Model Number	ASHP-4CLMR-U/25/70
Operating Voltage	24 VDC Polarized
Operating Current 4 Speaker Cluster	1.04 alarm, 0.18A standby
Material	Aluminum
Operating Temperature Range	-40°F to 151°F

Application

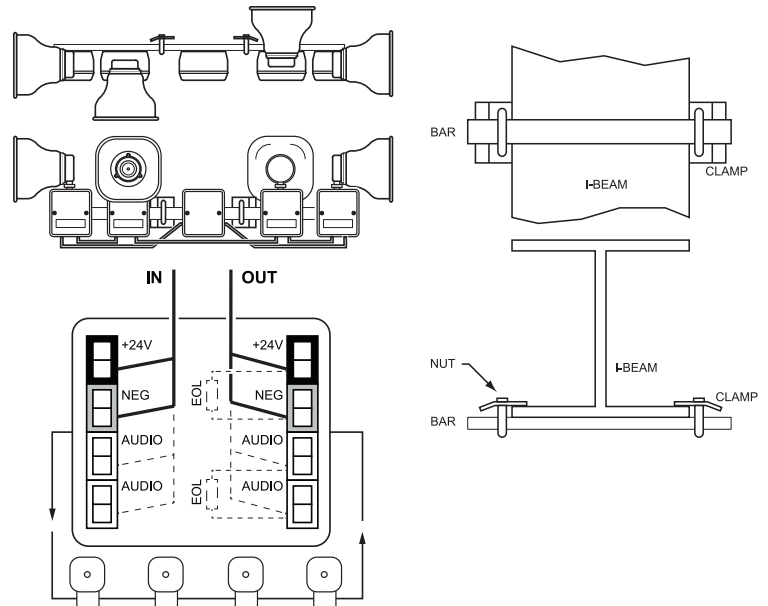
The Amplified Speaker is suited for areas with high ambient noise levels and where unique audible signal is required. When used with a tone generator or voice evac system and a PTCK25 or PTCK70 connector card the speaker can reproduce and amplify the audio signal.

For a single tone application the amplified speaker is polarized and with the U-TC universal tone connector card can be used with a reverse polarity NAC circuit.

Specifications

The amplified speakers shall be listed by a National Recognized Testing Laboratory (NRTL) for fire alarm signaling use. Alarm notification appliances shall be CPG Signals, Model ASHP Cluster Series. Amplified speakers shall be mounted in a cluster of 4 ASHP-24MR PowerTone® amplified speakers for 360° coverage. The amplified speakers shall be polarized to allow connecting of a 24vdc reverse polarity NAC circuit, using a plug-in universal tone connector card (U-TC). The amplified speaker shall be solid-state circuitry and be housed in a die-cast, dust and moisture proof aluminum housing which is NEMA 3 rated.

The speaker cone and projector shall be of spun aluminum. The amplified speakers shall be capable of clearly reproducing any number of CPG tones and voice evacuation signals. The amplified speakers shall be compatible with any 25 or 70Vrms audio system using the PTCK25 or PTCK70 connector card. The amplified speakers shall have an internal gain control for tone of indoor or outdoor mounting.




IF THIS CLUSTER IS THE LAST DEVICE ON THE CIRCUIT, PLACE END OF LINE DEVICE ACROSS THE "OUT" TERMINALS, ACCORDING TO CONTROL UNIT MANUFACTURER'S INSTRUCTIONS.

AUDIO SIGNAL WIRING IS FOR PTCK MODELS ONLY

Tone Card Sound (Model UTC)			Audible Frequency (Hz)	Repetition rate (cycles/min)	Audibility	
Selection	Name	Description			dB(A) Sound Power	UL dB(A) Sound Pressure
TM1	Wail	Conventional siren	550-1250	11	118.1	97.5
TM2	Yelp	Rapid siren	550-1250	3.5 Hz	118.0	97.4
TM3	Hi-Lo	Alternating high and low	560 and 760	50	116.9	96.3
TM4	Bell	Bell, struck repeatedly	800	50	115.8	95.2
TM5	Yeow	Descending high to low, repeated	1300 and 550	36	118.0	97.4
TM6	Horn	Steady horn	470	Continuous	112.2	91.6
TM7	Beep	Slow intermittent horn	470	50	110.8	90.2
TM8	Stutter	Rapid intermittent horn	470	5	110.3	89.7
TM9	Slow Whoop	Slow ascending, low to high - repeated	420 and 1160	15	116.1	95.5
TM10	Temporal Slow Whoop	NFPA coded slow whoop (fire alarm use only)	420 and 1160	15	113.9	93.3
Connector card model			Rated voltage			
PTCK25			25 VRMS		108.7	94.4
PTCK70			70 VRMS		109.0	94.1

Ordering Information

 **WARNING**

- Installation must be performed by qualified personnel and in accordance with all national and local codes and ordinances.
- Shock hazard. Disconnect power source before servicing. Serious injury or death could result.
- Read all instructions carefully and understand them before starting installation. Save instructions for future use. Failure to read and understand instructions could result in improper operation of device resulting in serious injury or death.

Part Number	Ordering Part Number	Description
ASHP-4C LMR-U	1460240	4 ASHP Speakers with U-TC Tone Card
ASHP-4C LMR-25	1460241	4 ASHP Speakers with PTCK-25 Audio Card
ASHP-4C LMR-70	1460242	4 ASHP Speakers with PTCK-70 Audio Card