

**Features**

Standby Current	80 mA
Alarm Current	80 mA
Ambient Operating Tem	0°C–49°C (32°F–120°F)
Addressing	Rotary Dial
Compatible Panel	PFC-8500



7165-0328:0196

Product includes a 5 year warranty

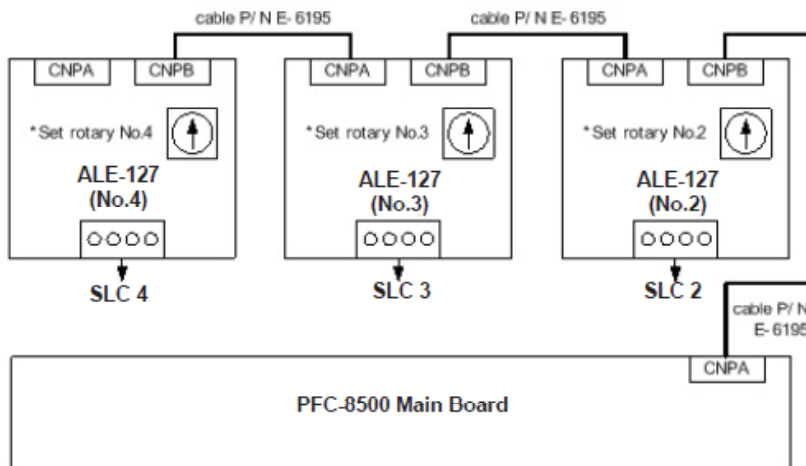
**Description**

The ALE-127 is microprocessor based circuit assembly that provides an additional signaling line circuit (SLC) to the Potter PFC-8500. The SLC is power limited and supervised. The PFC-8500 will support a total of three ALE-127 loop expanders. The ALE-127 is mounted above the main board assembly inside the cabinet. A wire harness connects the first ALE-127 to the main board and subsequent ALE-127(s) are connected to the first.

The ALE-127 is configurable for Class A, Styles 6 & 7 or Class B, Style 4.

The ALE-127 only operates with the PFC-8500 and utilizes the Potter/Nohmi line of sensors and modules.

**ALE-127 Wiring Example**



**Installation**

**NOTICE**

Install in accordance with installation manual # 5403556.