

Features

- Clean Dead-front Construction
- Digitally Recorded Automatic Evacuation Message (Up to 20 Minutes of Message Capacity)
- 100 Watt Bullet-Proof Amplifier
- 25 or 70 VRMS Field Selectable
- Class A/B Speaker Circuit
- 120 VAC Power Supply and Battery Charger
- Live Microphone Override of Message and Tone
- Analog Addressable Compatible
- High Reliability, No Maintenance, Fully Supervised
- Easy Installation and Operation
- Studio Quality Voice Recordings
- Built in Alarm and Alert Signals
- Works with 12 VDC or 24 VDC Fire Alarm Panels
- Works with Microprocessor based and Network Fire Alarm Systems
- 3 Minute Message Restart on Microphone Key
- 24 Hour Backup with 12V 7AH Batteries
- Made in the USA



6911-0328:0219

Description

The PVX-100 operates with any Fire Alarm Control Panel (FACP) and provides 100 Watts of speaker power. The PVX-100 has its own power supply and battery charger. Panel must be wired with 120 VAC and standby batteries connected. The PVX-100 is housed in a surface or semi-flush mounted backbox with a hinged and key locked door.

A digital message repeater (DMR) is built into the PVX-100. The selector of alarm tone and automatic message repeats, as well as the 6 hour delay of the AC power failure reporting feature is all field configurable.

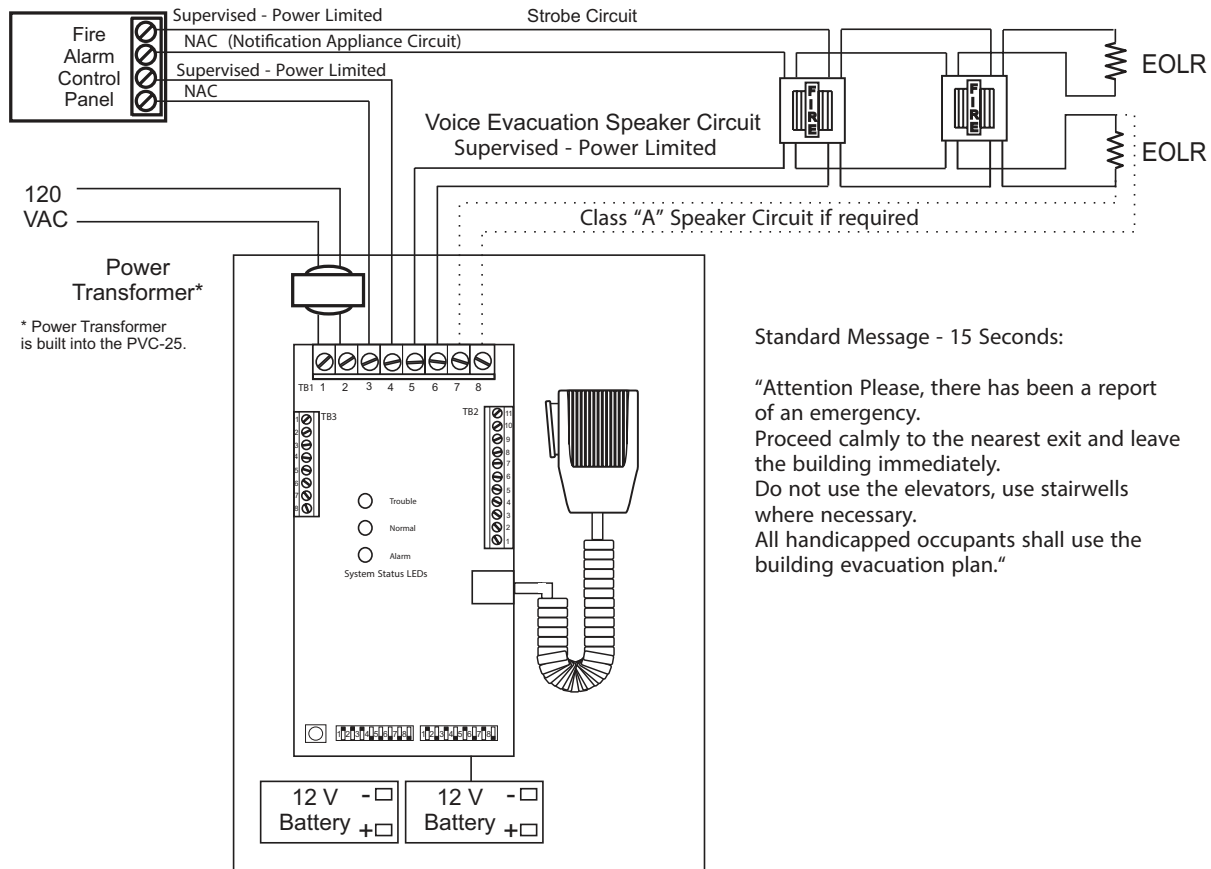
The paging microphone is an integral component. Removal of the microphone from the panel will cause a "Trouble" condition which will be reported locally, as well as through the FACP.

The PVX-100 includes all necessary features to provide an effective voice evacuation system. With the addition of zone splitters, selection switches/inputs, remote microphone panels, and expander modules, the PVX-100 can be custom configured to satisfy the needs of most applications.

Technical Specifications

Primary Power	120VAC @1.4A
24VDC Battery Power	0.16A Standby 1.1A Alarm
Output	100 Watts @ 25/70 VRMS
Backbox Dimensions (WxHxD)	14.5 x 18 x 4"
Color	Red (standard) Charcoal Grey (optional)

Typical Installation



Engineering Specifications

The voice evacuation system shall be Potter PVX-100 or approved equal. The voice evacuation system shall provide 100 watts signal power and 100 watts voice power, and shall be UL listed. The voice evacuation shall be micro-processor based, and shall contain an integral microphone, 100W audio amplifier, tone generator, digital message repeater, 120VAC power supply and battery charger.

The voice evacuation message/signal shall be broadcast until the Fire Alarm Control Panel (FACP) is reset, or until fire emergency personnel interrupt the broadcast with a manual page. On reset system shall automatically return to standby (normal operating) condition. A secondary message shall be provided which can be triggered by the closure of a contact from either the FACP or from any normally open contact device. Remote paging microphone(s) will be supported by the system through a supervised circuit. Remote microphone(s) may be mounted up to 5000 feet away from the voice evacuation panel.

Ordering Information

Model Number	Stock Number	Description
PVX-100/4Z	3500004	100W Voice Evacuation System with:
PVX-100/8Z	3500005	<ul style="list-style-type: none"> Power Supply / Battery Charger Paging Microphone
PVX-100/12Z	3500006	<ul style="list-style-type: none"> Digital Message Repeater 4 Speaker Zones (4Z) 8 Speaker Zones (8Z) 12 Speaker Zones (12Z)

Optional Components

- PVX-ZM Zone Module 4-Class B / 2-Class A Circuits
- PVX-SL8 8 Switch/LED Card
- PVX-IL8 8 Input/LED Card
- PVX-OL8 8 Output/LED Card
- PVX-RM / SC Remote MIC / Supervisory Card