



Ordering Information

<u>Stock Number</u>	<u>Model Number</u>	<u>Model Designations</u>
4890001	MHT-1224R	R = Red faceplate
4890002	MHT-1224W	W = Off-White faceplate
4890003	MHT-1224PR	P = Plain
4890004	MHT-1224PW	



Product includes a 5 year warranty

Description

The MHT-1224 Series mini-horn is a high quality remote audible signaling appliance that offers dependable remote annunciation. The MHT-1224 is ideal for applications where a dependable audible alarm signal is required in applications such as hotels, dormitories, and apartments. The MHT-1224 is listed for use with both filtered and unfiltered power and a jumper is provided to select either temporal 3 or continuous tone.

Features

- Single unit is capable of 12 or 24 VDC determined by the input voltage
- Unit Dimensions: 4.48" (11.38cm) high x 2.84" (7.21 cm) wide x 0.5" (1.27 cm) deep
- Jumper selectable temporal 3 or continuous tone
- Horn frequency is 3100Hz
- Terminal blocks (12 AWG to 18 AWG)
- Low current consumption
- Variety of mounting options for new construction and retrofit applications
- Synchronize using the AVSM Series control module
- ANSI/UL 464 listed for fire protective service
- Textured finish high impact plastic faceplate, available in red or off-white

Operating Temperature (indoor use only)

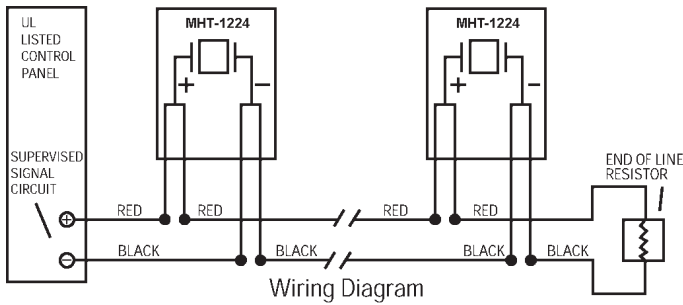
- 32° to 120°F (0° to 49°C)

The MHT-1224 can be used on the same sync circuit (AVSM Series Control Module) as other Potter signals. The MHT-1224 Series is ANSI/UL 464 listed for use with fire protective systems.

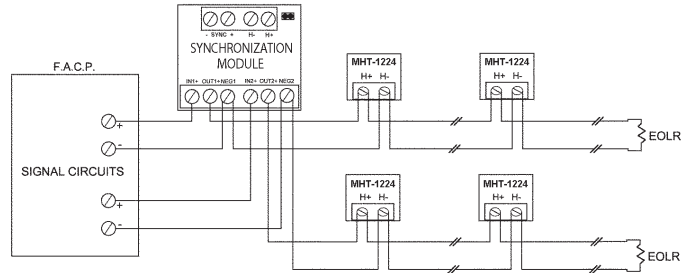
Architect & Engineering Specifications

The alarm horns shall be Potter model MHT-1224. The appliance shall be listed with Underwriters Laboratories (ANSI/UL) for use with fire protective signaling systems (ANSI/UL 464) and produce a peak sound output of 90dBA or greater as measured in an anechoic chamber. The appliance shall be of solid-state construction and be polarized to operate from 8-33VDC with a 22mA current drain at 24VDC. The appliance shall be provided with 2 terminals, and mount to a variety of single-gang back boxes.

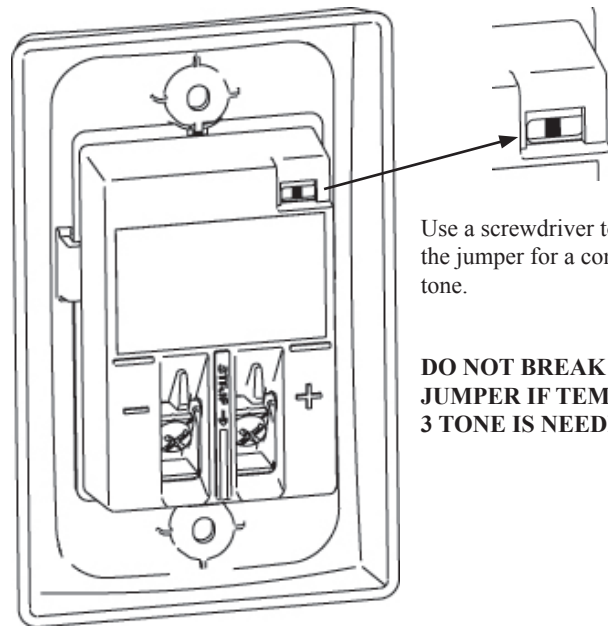
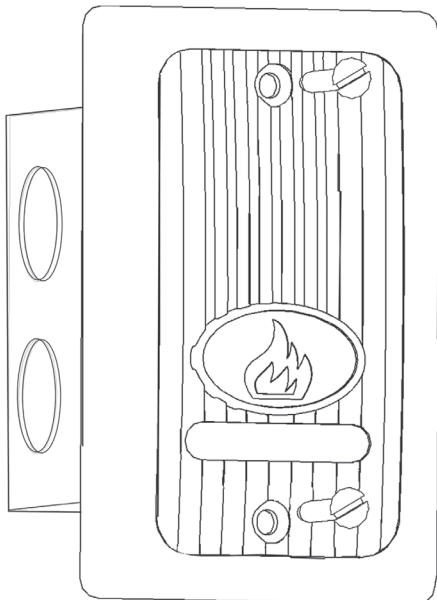
Mini-Horn Wiring



WIRING DIAGRAM FOR DUAL CLASS B CIRCUITS WITH A SINGLE AVS44 CONTROL MODULE



Mini-Horn Wiring



Use a screwdriver to break the jumper for a continuous tone.

DO NOT BREAK JUMPER IF TEMPORAL 3 TONE IS NEEDED.

Horn Mode	Minimum SPL at 10 feet per ANSI/UL 464 at 24 VDC	Minimum SPL at 10 feet per ANSI/UL 464 at 12 VDC	Reverberant dBA at 10 feet per ANSI/UL 464	In Anechoic Room dBA @ 10 ft.
Temporal 3	81 dBA	78 dBA	78-86	90
Continuous	86 dBA	83 dBA	78-86	90

MHT-1224 Current Ratings	
24 VDC	22 mA
24 VDC UL Max	18 mA
12 VDC UL Max	13 mA

NOTES: The sound output for the temporal 3 tone is rated lower since the time the horn is off is averaged into the sound output rating. While the horn is producing a tone in the temporal 3 mode its sound pressure is the same as the continuous mode.

¹ RMS current ratings are per ANSI/UL average RMS method. ANSI/UL max current is the maximum RMS current within the listed voltage range (16-33 VDC for 24 VDC units) (8-17 VDC for 12 VDC units). For strobes, the ANSI/UL max current is usually at the minimum listed voltage (16 VDC for 24 VDC units) (8 VDC for 12 VDC units). For audibles, the max current is usually at the maximum listed voltage. For unfiltered FWR ratings, see installation manual.