

Features

- Single or Dual Action versions
- Durable die-cast construction
- Reset key matches the fire alarm control panels
- Compatible with all PFC-6000, PFC-8000, and P Series panels
- Product includes a 5 year warranty

Stock Numbers

- APS-SA Addressable Pull Station, Single Action – 1430810
- APS-DA Addressable Pull Station, Dual Action – 1430811



Application

The APS-SA/DA is compatible with Potter's PFC-6000 series and PFC-8500 addressable fire alarm control panels. It is a non-coded addressable pull station available in either a single or dual action model and installs on a single box or surface mounts using the P32-BB or P32-DBB (deep) back box.

Description

The APS-SA (Single Action) is activated by simply pulling the white "T" bar handle down. The APS-DA (Dual Action) is activated by lifting the front cover and then pulling the white "T" bar handle down. Once activated, the "T" bar cannot be reset without opening the front cover. Opening the front cover will also activate the pull station. To reset the APS Series, use the Potter WS-93 key to unlock and open the front cover. Once the cover is open, push the "T" bar back into the normal position and re-secure the front cover.

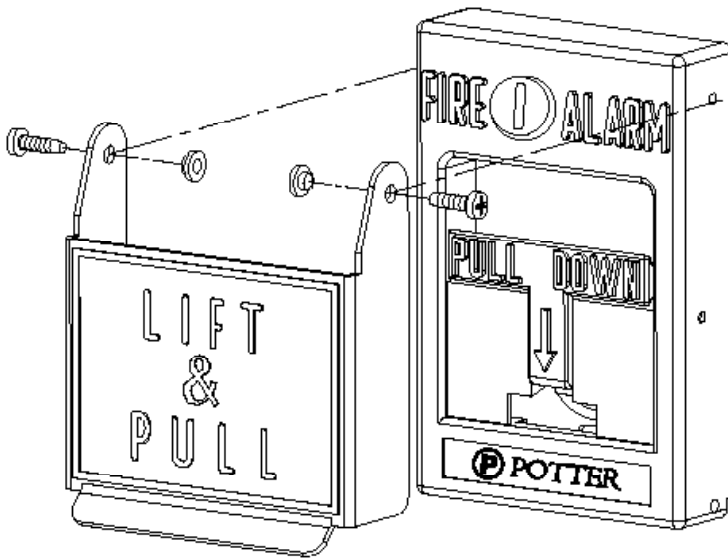
Technical Specifications

Operating Voltage	22.0 – 24.0 VDC
Max SLC Standby Current	0.325mA
Max SLC Alarm Current	0.325mA
Environmental Limitations	32°F - 120°F (0° - 49°C) Indoor Only
Dimensions	4.75" H x 3.25" W x 1.75" D
Relative Humidity Range	0 - 93% (non-condensing)
Mounting Options	Single gang box or Potter P32-BB/DBB
Shipping Weight	APS-SA - 1.22 lbs. APS-DA - 1.46 lbs.

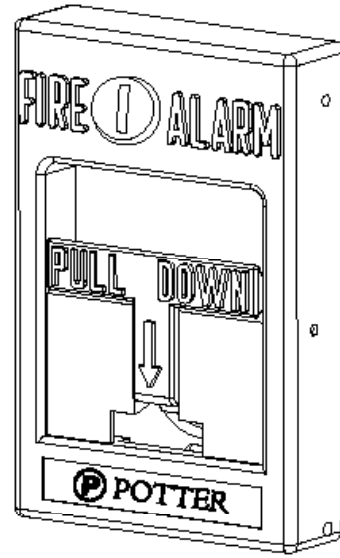
Setting the Address

The APS Series uses one SLC address which must be assigned prior to installation of the device. The address is set using either the handheld device programmer or the device addressing feature built into each Potter fire alarm control panel.

Pull Station Front View



APS-DA



APS-SA

Pull Station Back View and Wiring

