

## Features

- Firefighter's phone jack



## Description

The FFT-FJ is a fireman's phone jack to be located at strategic areas in a building for two-way communication between the remote area and the FFT-1000.

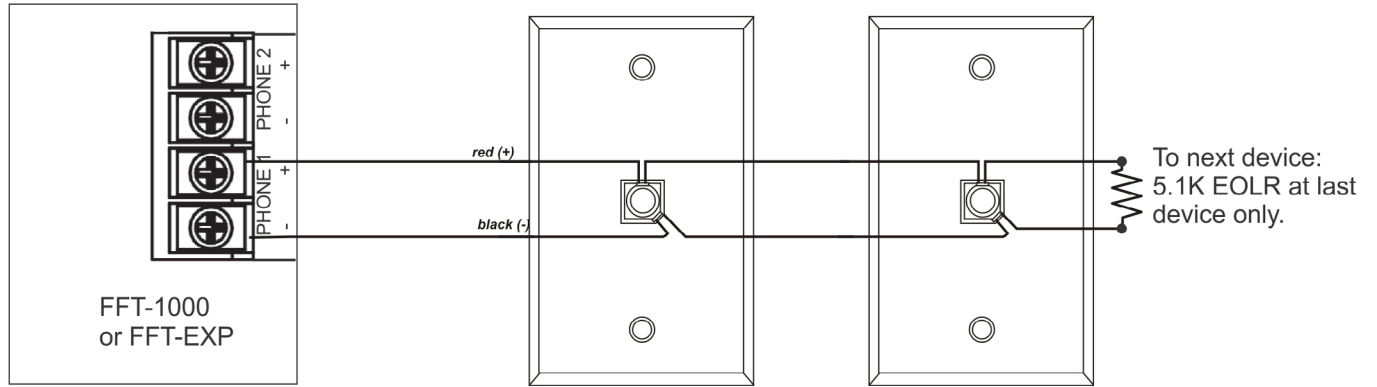
In operation, an FFT-RFH (Remote Fireman's Handset) is plugged into an FFT-FJ (Fireman's Phone Jack) which will ring at the FFT-1000. The operator can then pick up the master handset at the FFT-1000, select the corresponding switch, and establish 2-way communication with the remote handset.

## Technical Specifications

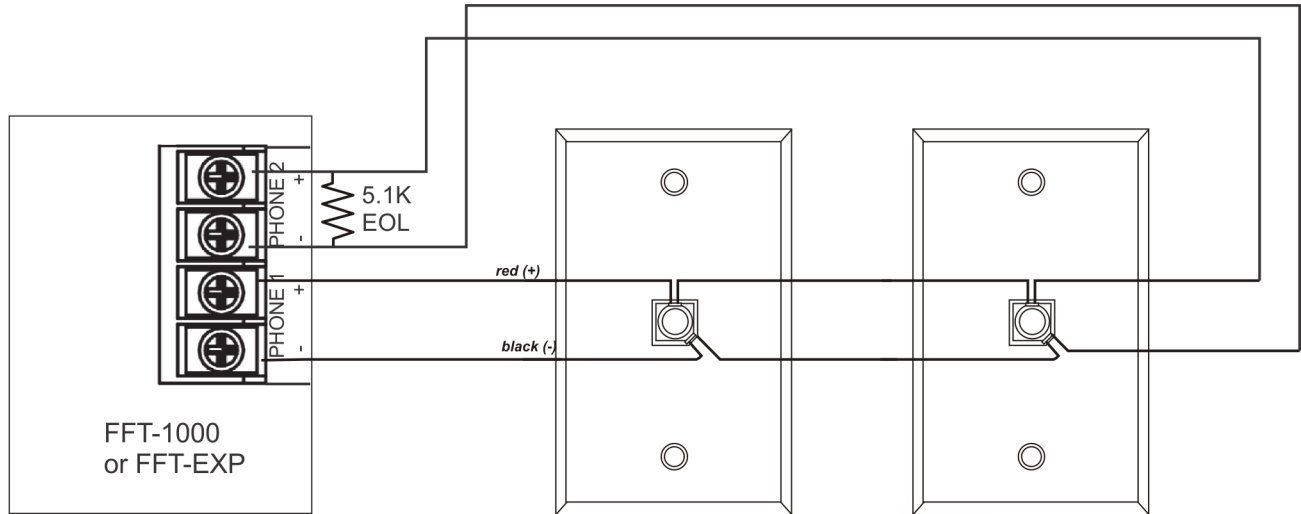
Operating Temperature	0°C-49°C (32°F-120°F)
Operating Humidity Range	10%-93% @ 30°C (86°F) noncondensing humidity

**Installation**

*Class B Wiring Connection*



*Class A Wiring Connection*



**Ordering Information**

Model	Description	Stock No.
FFT-FJ	FFT-FJ FIREMAN'S PHONE JACK	3006732