

Features

- NEMA type 3R and 4X ratings for corrosion and weatherproofing.
- IP54 and IP66 rated for protection against dust and water
- LED Technology for Energy Efficiency
- Multiple candela settings: 15 - 185 Cd
- 1/8 watt up to 8 watts (70V)
- 25 or 70 VRMS
- Strobe synchronization with Potter fire alarm control panels and power supplies. Ability to mix xenon and LED strobes in the same field of view.
- 5-year warranty



Description

The Potter PE Series feature advanced LED technology with a range of low and high candela settings for outdoor wall and ceiling-mount applications. Crafted with a low-profile design, these devices seamlessly complement building exteriors. Rich in features, the devices offer 6 candela settings and 6 horn patterns within a single unit. Installation is simplified with a pre-wire capable backbox or mounting plate. The PE Series is designed for 24V operations.

High Efficiency, LED Technology

The PE series of LED strobes utilize LED technology and optical design to improve efficiency and reduce overall power consumption. Strobe models offer six candela settings.

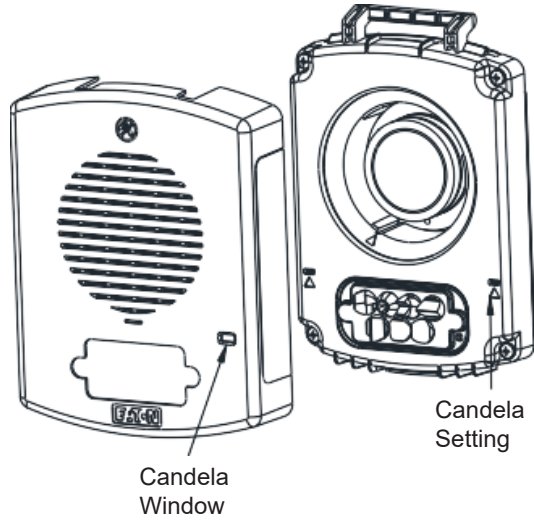
Product Listing:

- UL Listed
- FM Approved
- CSFM

Technical Specifications

Mounting Options	<ul style="list-style-type: none"> • Ceiling or wall mount • 3R comes with mounting plate • 4X comes with backbox
Wire Gauge	<ul style="list-style-type: none"> • #12 through #18 AWG
Operating Temp	<ul style="list-style-type: none"> • -40°F to 150°F (-40°C to 150°C) • Maximum humidity 93%
Dimensions	<ul style="list-style-type: none"> • 3R: 7.8”L x 5.75”W x 1.6”H • 4X: 8”L x 6.5”W x 4.5”H
Operating Voltage	<ul style="list-style-type: none"> • 12 VDC/VFWR: 8 - 17.5 VDC/VFWR • 24 VDC/VFWR: 16 - 33 VDC/VFWR (12 VDC PE-HN/PE-HNC only)
Strobe Output Rating	<ul style="list-style-type: none"> • UL 1971, UL 1638, ULC S526. Selectable candela outputs. • Blue 15/30/75/95/135/150 Cd on-axis • Red 10/20/40/50/75/80 Cd on-axis • Green 15/30/60/75/115/125 Cd on-axis
Synchronization Models	<ul style="list-style-type: none"> • Strobes can be synchronized with Potter fire alarm control panels and power supplies using Wheelock® sync protocol.

PE-3R/4XHS and PE-3R/4XST Switch Locations



Mounting Options

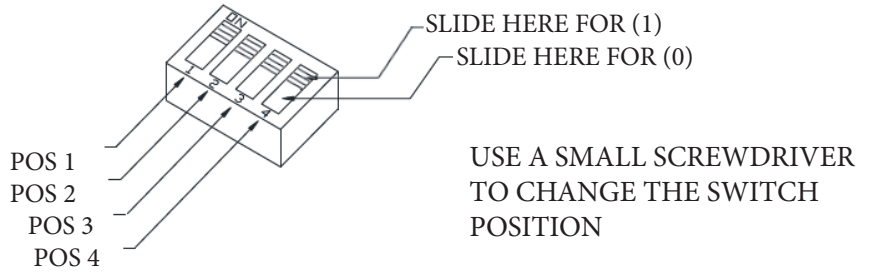
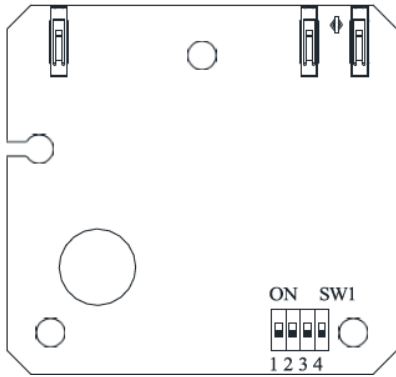


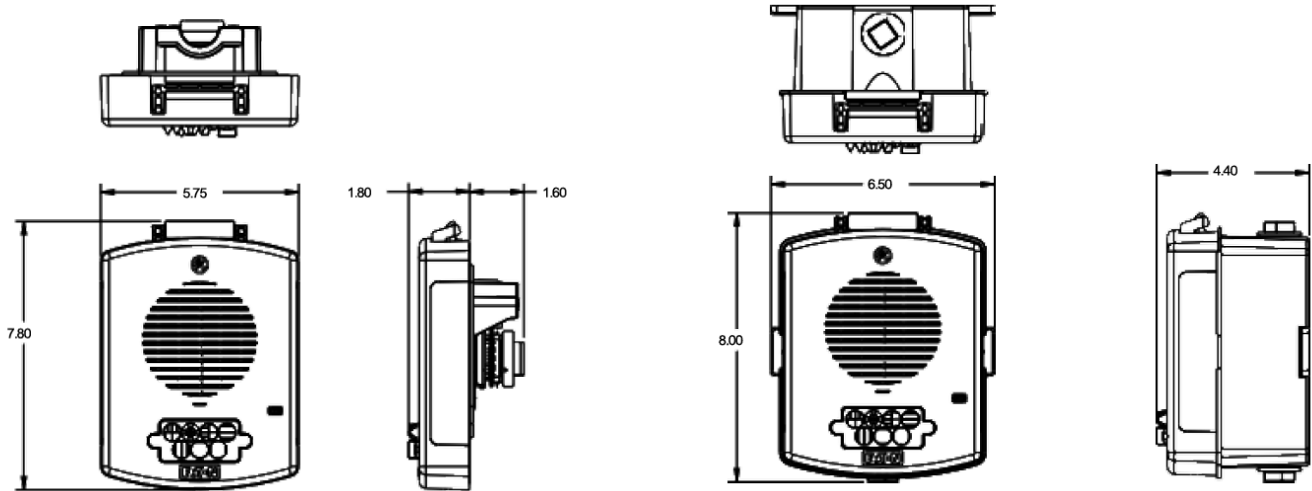
Table 5: dBA Sound Output Level Setting

Sound Output Level	Switch SW1 Settings
High dBA	SW1 POS 1 on 1 (Factory Setting)
Standard dBA	SW1 POS on 0

Table 6: dBA Sound Output Level Setting

Tone	Pattern Description	Switch (SW1)		
		POS 2	POS 3	POS 4
Horn **	Broadband Horn (Continuous)	1	1	1
Bell	1560 Hz Modulated (0.07 Sec. ON/Repeat)	1	0	1
March Time Horn	Horn (0.25 Sec. ON/0.25 Sec. OFF/Repeat)	0	0	1
Code 3 Horn	Horn (ANSI S3.41 Temporal Pattern)	1	1	0
Code 3 Whoop	500 Hz (ANSI S3.41 Temporal Pattern)	0	1	1
Slow Whoop	500-1200Hz Sweep (4 sec ON/0.5 sec OFF/Repeat)	0	1	0
Siren	600-1200Hz Sweep (1.0 Sec. ON/Repeat)	1	0	0
HI/LO	1000/800 Hz (0.25 Sec. ON/Alternate)	0	0	0

Dimensions



Multitone Strobe and Current Draw

Model (Blue)	Regulated Voltage Range (VDC)	15 Cd	30 Cd	75 Cd	95 Cd	135 Cd	150 Cd
PE-3RMTSTB-NW	16.0-33.0	0.026	0.038	0.070	0.097	0.179	0.206
PE-4XMTSTB - NW	16.0-33.0	0.026	0.038	0.070	0.097	0.179	0.206
Model (Green)	Regulated Voltage Range (VDC)	15 Cd	30 Cd	60 Cd	75 Cd	115 Cd	125 Cd
PE-3RMTSTG-NW	16.0-33.0	0.026	0.038	0.070	0.097	0.179	0.206
PE--4XMTSTG-NW	16.0-33.0	0.026	0.038	0.070	0.097	0.179	0.206
Model (Red)	Regulated Voltage Range (VDC)	10 Cd	20 Cd	40 Cd	50 Cd	75 Cd	80 Cd
PE-3RMTSTR-NW	16.0-33.0	0.026	0.038	0.070	0.097	0.179	0.206
PE-4XMTSTR-NW	16.0-33.0	0.026	0.038	0.070	0.097	0.179	0.206

PE-3R/4X Multi-Tone Horn Current and Sound Pressure Level Ratings

Tone	Volume	16-33VCD	16-33VFWR	8-17.5VCD	8-17.5VFWR	Reverberant dBA at 10ft Per UL464/ULC525
Horn **	HI	0.108	0.087	0.177	0.172	88
	STD	0.044	0.045	.034	0.039	83
Bell	HI	0.053	0.067	0.095	0.095	81
	STD	0.024	0.028	0.020	0.023	75
March Time Horn	HI	0.104	0.087	0.142	0.156	88
	STD	0.087	0.045	0.034	0.041	83
Code 3 Horn	HI	0.122	0.087	0.200	0.183	88
	STD	0.035	0.045	0.034	0.039	83
Code 3 Whoop	HI	0.135	0.110	0.152	0.150	81
	STD	0.035	0.032	0.027	0.030	76
Slow Whoop	HI	0.098	0.092	0.142	0.142	87
	STD	0.037	0.042	0.035	0.038	81

Tone	Volume	16-33VCD	16-33VFWR	8-17.5VCD	8-17.5VFWR	Reverberant dBA at 10ft Per UL464/ULC525
Siren	HI	0.104	0.092	0.152	0.152	87
	STD	0.042	0.040	0.030	0.034	81
HI/LO	HI	0.057	0.063	0.114	0.114	84
	STD	0.035	0.035	0.027	0.030	79

Notes: When the application requires T4; field devices must be set to T3/T4 Horn setting and in the Potter Programming Software the corresponding circuit be set to Wheelock T4

Specification & Ordering Information

Model Number	Part Number	Mounting	Strobe Candela	Red	White	Lettering
Multitone Strobe						
Model (Blue)						
PE-3RMTSTB-NW	4871166	Wall/Ceiling	15, 30, 75, 95, 135, 150 cd		X	No Lettering
PE-4XMTSTB-NW	4871187	Wall/Ceiling	15, 30, 75, 95, 135, 150 cd		X	No Lettering
Model (Green)						
PE-3RMTSTG-NW	4871167	Wall/Ceiling	15, 30, 60, 75, 115, 125 cd		X	No Lettering
PE-4XMTSTG-NW	4871188	Wall/Ceiling	15, 30, 60, 75, 115, 125 cd		X	No Lettering
Model (Red)						
PE-3RMTSTR-NW	4871168	Wall/Ceiling	10, 20, 40, 50, 75, 80 cd		X	No Lettering
PE-4XMTSTR-NW	4871189	Wall/Ceiling	10, 20, 40, 50, 75, 80 cd		X	No Lettering

Accessories							
Model No.	Part Number	Description				Red	White
PE-LP-ALR	4871192	LETTER PLATE,ALERT, RED (10 PAIR PER PKG. - 1 PAIR PER DEVICE)				X	
PE-LP-ALW	4871193	LETTER PLATE, ALERT, WHITE (10 PAIR PER PKG. - 1 PAIR PER DEVICE)					X
PE-LP-AR	4871194	LETTER PLATE, AGENT, RED (10 PAIR PER PKG. - 1 PAIR PER DEVICE)				X	
PE-LP-AW	4871195	LETTER PLATE, AGENT, WHITE (10 PAIR PER PKG. - 1 PAIR PER DEVICE)					X
PE-LP-COR	4871196	LETTER PLATE,CARBON MONOXIDE,RED (10 PAIR PER PKG. - 1 PAIR PER DEVICE)				X	
PE-LP-COW	4871197	LETTER PLATE, CARBON MONOXIDE, WHITE (10 PAIR PER PKG. - 1 PAIR PER DEVICE)					X
PE-LP-EVR	4871198	LETTER PLATE, EVACUATE, RED (10 PAIR PER PKG. - 1 PAIR PER DEVICE)				X	
PE-LP-EVW	4871199	LETTER PLATE, EVACUATE, WHITE (10 PAIR PER PKG. - 1 PAIR PER DEVICE)					X
PE-LP-FBR	48711200	LETTER PLATE, FEU/FIRE, RED (10 PAIR PER PKG. - 1 PAIR PER DEVICE)				X	
PE-LP-FBW	48711201	LETTER PLATE, FEU/FIRE, WHITE (10 PAIR PER PKG. - 1 PAIR PER DEVICE)					X
PE-LP-FR	48711202	LETTER PLATE, FIRE, RED (10 PAIR PER PKG. - 1 PAIR PER DEVICE)				X	
PE-LP-FW	48711203	LETTER PLATE, FIRE, WHITE (10 PAIR PER PKG. - 1 PAIR PER DEVICE)					X
PE-LP-MR	48711204	LETTER PLATE, EMERGENCY, RED (10 PAIR PER PKG. - 1 PAIR PER DEVICE)				X	
PE-LP-MW	48711205	LETTER PLATE, EMERGENCY, WHITE (10 PAIR PER PKG. - 1 PAIR PER DEVICE)					X
PE-LP-NR	48711206	LETTER PLATE, NO LETTERS, RED (10 PAIR PER PKG. - 1 PAIR PER DEVICE)				X	
PE-LP-NW	48711207	LETTER PLATE, NO LETTERS, WHITE (10 PAIR PER PKG. - 1 PAIR PER DEVICE)					X

Architect & Engineering Specifications

The colored lens outdoor strobe appliances shall be Potter weatherproof series PE-3R/EL4XMTSTB (Blue), PE-3R/EL4XMTSTG (Green) and PE-3R/EL4XMTSTR (Red) multi-tone strobe appliances for wall or ceiling-mount applications with a low-profile design or approved equals. Strobes shall include blue, green and red lens models. Special lettering, including ALERT and no lettering, shall be available. The Series PE-3R/4XMTST strobes shall be certified for: Certified to NEMA type 3R | 4X, IP54 | IP66 Certified | Tested to IP67, NFPA 72 2016 (Meets maximum light pulse duration of 20ms), IEC 60529 2nd edition + amendment 3- August 2013, FCC Part 15B / ICES-003- Class A, UL 50 13th edition- October 2020, UL 50E 3rd edition- October 2020, UL464 11th edition: CAN/ULC 525 5th edition- May 2023, UL1480 7th edition: CAN/ULC 541 5th edition- May 2023, UL1638 6th edition: CAN/ULC 526 5th edition- April 2023, California State Fire Marshal (CSFM), Factory Mutual (FM) - Pending, ADA/NFPA/ ANSI/OSHA . All inputs shall be compatible with standard reverse polarity supervision of circuit wiring by a Fire Alarm Control Panel (FACP) with the ability to operate from 16 to 33 VDC/VFWR. The outdoor multitone colored lens strobe series PE-3R/4XMTST appliances shall produce a flash rate of one (1) flash per second over the Regulated Voltage Range and shall incorporate a Light Emitting Diode (LED) as the light source with a rugged Lexan® lens. The Series shall be of low current design. The LED strobe flash duration shall be 20 ms. The blue lens strobe intensity shall have 6 field selectable settings at 15cd/ 30cd/ 75cd/ 95cd/ 135cd/ 150cd candela for wall or ceiling mount applications. The green lens strobe intensity shall have 6 field selectable settings at 15cd/ 30cd/ 60cd/ 75cd/ 115cd/ 125cd/150cd candela for wall or ceiling mount applications. The red lens strobe intensity shall have 6 field selectable settings at 10cd/ 20cd/ 40cd/ 50cd/ 75cd/ 80cd candela for wall or ceiling mount applications. The selector switch for selecting the candela shall be tamper-resistant. Appliances with candela settings shall show the candela selection in a visible location at all times when installed.

The outdoor multitone colored lens strobe series PE-3R/4XMTST appliances shall include a mounting plate or surface mounting box from the factory. The outdoor series PE-3R/4XMTST incorporates pre-wire, pre-test mounting plate and back box terminals. The outdoor series PE-3R/4XMTST rated to NEMA type 3R, IP54 and NEMA type 4X, IP66 respectively, when used with the included mounting accessory. Two wire appliance wiring shall be capable of directly connecting to the mounting plate or back box. Removal of an appliance shall result in a supervision fault condition by the Fire Alarm Control Panel (FACP). All notification appliances shall be backwards compatible.

The colored lens outdoor strobe series PE-3R/4XMTST appliances shall provide installers ease of installation provided by the self-supporting hanging hinge feature.

When synchronization is required the strobes shall not drift out of synchronization at any time during operation. If the sync protocol fails to operate, the strobe shall revert to a non-synchronized flash rate and still maintain (1) flash per second over its Regulated Voltage Range.