

**Features**

- NEMA type 3R and 4X ratings for corrosion and weatherproofing.
- IP54 and IP66 rated for protection against dust and water
- LED Technology for Energy Efficiency
- Multiple candela settings: 15 - 185 Cd
- 1/8 watt up to 8 watts (70V)
- 25 or 70 VRMS
- Strobe synchronization with Potter fire alarm control panels and power supplies. Ability to mix xenon and LED strobes in the same field of view.
- 5-year warranty



**Description**

The Potter PE weatherproof speaker-strobe and strobe appliances feature advanced LED technology with a range of low and high candela settings for indoor/outdoor wall and ceiling-mount applications. They are designed for easy installation with a pre-wire capable mounting plate, or back box. The PE weatherproof strobe and speaker strobe are designed for multiple power requirements with high dBA output at each power tap. The design incorporates a high efficiency speaker for maximum output at minimum power across a frequency range of 400-4000Hz.

**High Efficiency, LED Technology**

The PE series of LED strobes utilize LED technology and optical design to improve efficiency and reduce overall power consumption. Strobe models offer six candela settings 15 - 185 Cd.

**Product Listing:**

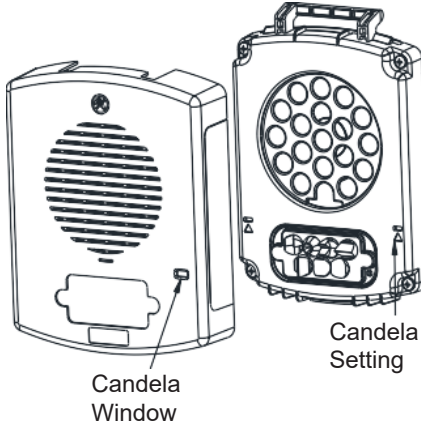
- UL Listed
- FM Approved
- CSFM

**Technical Specifications**

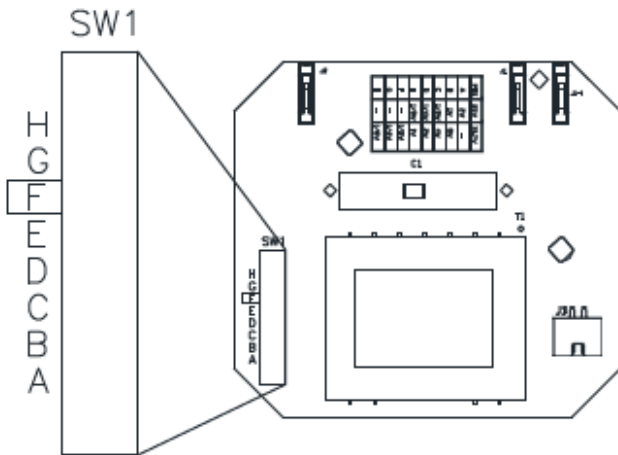
|                        |   |
|------------------------|---|
| Mounting Options       | <ul style="list-style-type: none"> <li>• Ceiling or wall mount</li> <li>• 3R comes with mounting plate</li> <li>• 4X comes with backbox</li> </ul>  |
| Wire Gauge             | <ul style="list-style-type: none"> <li>• #12 through #18 AWG</li> </ul>   |
| Operating Temp         | <ul style="list-style-type: none"> <li>• -40°F to 150°F (-40°C to 66°C)</li> <li>• Maximum humidity 95%</li> </ul>  |
| Dimensions             | <ul style="list-style-type: none"> <li>• 3R: 7.8”L x 5.75”W x 3.2”H</li> <li>• 4X: 8”L x 6.5”W x 4.4”H</li> </ul>   |
| Operating Voltage      | <ul style="list-style-type: none"> <li>• 16-33 VDC/FWR.</li> </ul>  |
| Strobe Output Rating   | <ul style="list-style-type: none"> <li>• Strobe (Blue): 15cd, 30cd, 75cd, 95cd, 135cd, 150cd</li> <li>• Strobe (Green): 15cd, 30cd, 60cd, 75cd, 115cd, 125cd</li> <li>• Strobe (Red): 10cd, 20cd, 40cd, 50cd, 75cd, 80cd</li> </ul> |
| Synchronization Models | <ul style="list-style-type: none"> <li>• Strobes can be synchronized with Potter fire alarm control panels and power supplies using Wheelock® sync protocol.</li> </ul>   |
| Frequency Range        | <ul style="list-style-type: none"> <li>• 400 Hz to 4000 Hz</li> </ul>   |

**PE-3RSPK/4XSPK Switch Locations**

Figure 3B: Candela (PE-3R/4XSPST only)  
Set from rear. Factory Setting is 15cd.



**PE-3R/4XSPK Only Switch Locations**

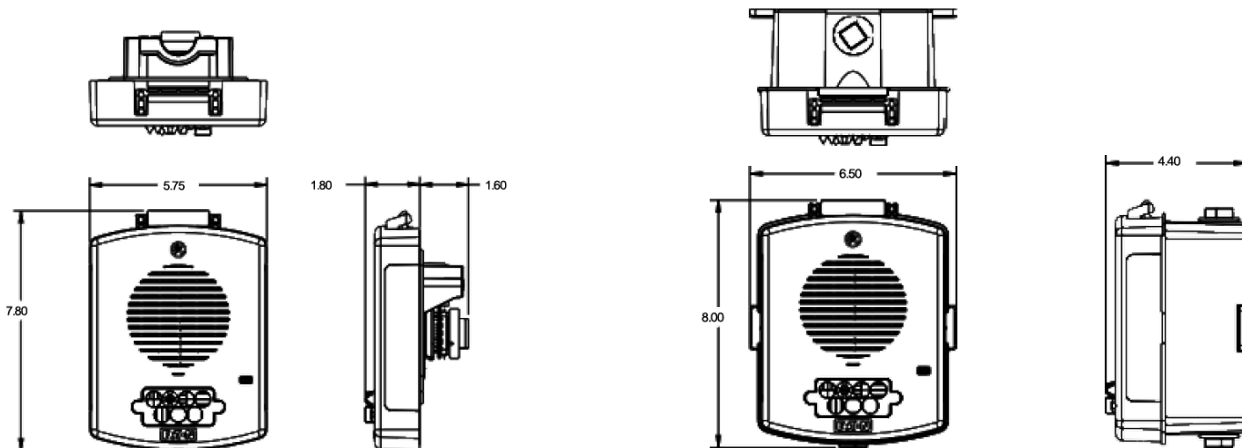


*Table 4: Speaker Voltage and Wattage Chart*

| Position | 25V  | 70.7V |
|----------|------|-------|
| A        | 2W   |       |
| B        | 1W   | 8W    |
| C        | 1/2W | 4W    |
| D        | 1/4W | 2W    |
| E        | 1/8W | 1W    |
| F        |      | 1/2W  |
| G        |      | 1/4W  |
| H        |      | 1/8W  |

Each Doubling of rated Watts increases sound output by 3dB

**Dimensions**



### Multitone Strobe and Current Draw

| Model (Blue)  | Regulated Voltage Range (VDC) | 15 Cd | 30 Cd | 75 Cd | 95 Cd | 135 Cd | 150 Cd |
|---------------|-------------------------------|-------|-------|-------|-------|--------|--------|
| PE-SPSTB      | 16.0-33.0                     | 0.026 | 0.038 | 0.069 | 0.097 | 0.179  | 0.206  |
| PE-STB        | 16.0-33.0                     | 0.026 | 0.038 | 0.070 | 0.097 | 0.179  | 0.206  |
| Model (Green) | Regulated Voltage Range (VDC) | 15 Cd | 30 Cd | 60 Cd | 75 Cd | 115 Cd | 125 Cd |
| PE-SPSTG      | 16.0-33.0                     | 0.026 | 0.038 | 0.070 | 0.097 | 0.179  | 0.206  |
| PE-STG        | 16.0-33.0                     | 0.026 | 0.038 | 0.070 | 0.097 | 0.179  | 0.206  |
| Model (Red)   | Regulated Voltage Range (VDC) | 10 Cd | 20 Cd | 40 Cd | 50 Cd | 75 Cd  | 80 Cd  |
| PE-SPSTR      | 16.0-33.0                     | 0.026 | 0.038 | 0.070 | 0.097 | 0.179  | 0.206  |
| PE-STR        | 16.0-33.0                     | 0.026 | 0.038 | 0.070 | 0.097 | 0.179  | 0.206  |

### Speaker Ratings

| UL Reverberant dBA 10 Feet |           |           |           |        |         |         |         |
|----------------------------|-----------|-----------|-----------|--------|---------|---------|---------|
| Setting                    | 1/8 Watts | 1/4 Watts | 1/2 Watts | 1 Watt | 2 Watts | 4 Watts | 8 Watts |
| 25Vrms                     | 76        | 79        | 82        | 85     | 88      |         |         |
| 70.7Vrms                   | 76        | 79        | 82        | 85     | 88      | 91      | 94      |

### General Notes:

- Strobes are designed to flash at 1 flash per second minimum over their “Regulated Voltage Range”. Note that NFPA-72 specifies a flash rate of 1 to 2 flashes per second and ADA guidelines specify a flash rate of 1 to 3 flashes per second.
- All candela ratings represent minimum effective Strobe intensity based on UL 1971.

### Specification & Ordering Information

| Model Number           | Part Number | Mounting     | Strobe Candela      | Lens  | Red | White | Lettering    |
|------------------------|-------------|--------------|---------------------|-------|-----|-------|--------------|
| <b>Speaker Strobes</b> |             |              |                     |       |     |       |              |
| PE-3RSPSTB-NW          | 4871162     | Wall/Ceiling | 15/30/75/95/135/150 | Blue  |     | X     | No Lettering |
| PE-4XSPSTB-NW          | 4871183     | Wall/Ceiling | 15/30/75/95/135/150 | Blue  |     | X     | No Lettering |
| PE-3RSPSTG-NW          | 4871160     | Wall/Ceiling | 15/30/60/75/115/125 | Green |     | X     | No Lettering |
| PE-4XSPSTG-NW          | 4871181     | Wall/Ceiling | 15/30/60/75/115/125 | Green |     | X     | No Lettering |
| PE-3RSPSTR-NW          | 4871161     | Wall/Ceiling | 10/20/40/50/75/80   | Red   |     | X     | No Lettering |
| PE-4XSPSTR-NW          | 4871182     | Wall/Ceiling | 10/20/40/50/75/80   | Red   |     | X     | No Lettering |
| <b>Strobe</b>          |             |              |                     |       |     |       |              |
| PE-3RSTB-NW            | 4871151     | Wall/Ceiling | 15/30/75/95/135/150 | Blue  |     | X     | No Lettering |
| PE-4XSTB-NW            | 4871172     | Wall/Ceiling | 15/30/75/95/135/150 | Blue  |     | X     | No Lettering |
| PE-3RSTG-NW            | 4871154     | Wall/Ceiling | 15/30/60/75/115/125 | Green |     | X     | No Lettering |
| PE-4XSTG-NW            | 4871175     | Wall/Ceiling | 15/30/60/75/115/125 | Green |     | X     | No Lettering |
| PE-3RSTR-NW            | 4871155     | Wall/Ceiling | 10/20/40/50/75/80   | Red   |     | X     | No Lettering |
| PE-4XSTR-NW            | 4871176     | Wall/Ceiling | 10/20/40/50/75/80   | Red   |     | X     | No Lettering |
| PE-3RSTR-NR            | 4871156     | Wall/Ceiling | 10/20/40/50/75/80   | Red   | X   |       | No Lettering |
| PE-4XSTR-NR            | 4871177     | Wall/Ceiling | 10/20/40/50/75/80   | Red   | X   |       | No Lettering |

| Accessories |             |   |     |       |
|-------------|-------------|---|-----|-------|
| Model No.   | Part Number | Description   | Red | White |
| PE-LP-ALR   | 4871192     | LETTER PLATE, ALERT, RED (10 PAIR PER PKG. - 1 PAIR PER DEVICE)             | X   |       |
| PE-LP-ALW   | 4871193     | LETTER PLATE, ALERT, WHITE (10 PAIR PER PKG. - 1 PAIR PER DEVICE)           |     | X     |
| PE-LP-AR    | 4871194     | LETTER PLATE, AGENT, RED (10 PAIR PER PKG. - 1 PAIR PER DEVICE)             | X   |       |
| PE-LP-AW    | 4871195     | LETTER PLATE, AGENT, WHITE (10 PAIR PER PKG. - 1 PAIR PER DEVICE)           |     | X     |
| PE-LP-COR   | 4871196     | LETTER PLATE, CARBON MONOXIDE, RED (10 PAIR PER PKG. - 1 PAIR PER DEVICE)   | X   |       |
| PE-LP-COW   | 4871197     | LETTER PLATE, CARBON MONOXIDE, WHITE (10 PAIR PER PKG. - 1 PAIR PER DEVICE) |     | X     |
| PE-LP-EVR   | 4871198     | LETTER PLATE, EVACUATE, RED (10 PAIR PER PKG. - 1 PAIR PER DEVICE)          | X   |       |
| PE-LP-EVW   | 4871199     | LETTER PLATE, EVACUATE, WHITE (10 PAIR PER PKG. - 1 PAIR PER DEVICE)        |     | X     |
| PE-LP-FBR   | 4871200     | LETTER PLATE, FEU/FIRE, RED (10 PAIR PER PKG. - 1 PAIR PER DEVICE)          | X   |       |
| PE-LP-FBW   | 4871201     | LETTER PLATE, FEU/FIRE, WHITE (10 PAIR PER PKG. - 1 PAIR PER DEVICE)        |     | X     |
| PE-LP-FR    | 4871202     | LETTER PLATE, RED, FIRE (10 PAIR PER PKG. - 1 PAIR PER DEVICE)              | X   |       |
| PE-LP-FW    | 4871203     | LETTER PLATE, WHITE, FIRE (10 PAIR PER PKG. - 1 PAIR PER DEVICE)            |     | X     |
| PE-LP-MR    | 4871204     | LETTER PLATE, EMERGENCY, RED (10 PAIR PER PKG. - 1 PAIR PER DEVICE)         | X   |       |
| PE-LP-MW    | 4871205     | LETTER PLATE, EMERGENCY, WHITE (10 PAIR PER PKG. - 1 PAIR PER DEVICE)       |     | X     |
| PE-LP-NR    | 4871206     | LETTER PLATE, NO LETTERING, RED (10 PAIR PER PKG. - 1 PAIR PER DEVICE)      | X   |       |
| PE-LP-NW    | 4871207     | LETTER PLATE, NO LETTERING, WHITE (10 PAIR PER PKG. - 1 PAIR PER DEVICE)    |     | X     |

## Architect & Engineering Specifications

The Weatherproof LED high fidelity speaker appliances shall be the Potter PS-3RSPST & PE-4XSPST speaker strobes. Special lettering, including ALERT, CO, and no lettering (plain) shall be available. The speakers shall be UL Listed under UL 1480 for Fire Protective Service and speakers equipped with strobes shall be listed under UL 1971 for Emergency Devices for Hearing Impaired. In addition, the speaker strobes shall meet the requirements of FCC Part 15 and ICES-003. All inputs shall be compatible with standard reverse polarity supervision of circuit wiring by a Fire Alarm Control Panel (FACP) with the ability to operate from 16 to 33 VDC/ FWR.

All speakers shall be designed for a field selectable input of either 25 or 70.7 VRMS, with selectable power taps from 1/8 watt to 2 watts (5 watts for 70V). All models shall have listed sound output of up to 88 dB at 10 feet and a listed frequency response of 400 to 4000 Hz.

All inputs shall employ terminals that accept #12 to #18 AWG wire sizes. The PE-3RSPST & PE-4XSPST speaker strobe appliances shall produce a flash rate of one (1) flash per second over the Regulated Voltage Range and shall incorporate a Light Emitting Diode (LED) as a light source with a rugged Lexan® lens. The LED strobe flash duration shall be 20 ms. Where multi-Candela appliances are specified, the strobe intensity shall have 6 field selectable settings at 15- 150 candela. The selector switch for selecting the candela shall be tamper resistant. Appliances with candela settings shall show the candela selection in a visible location at all times when installed.

The outdoor series PE-3RSPST/PE-4XSPST appliances shall include a mounting plate or surface mounting box from the factory. The outdoor series PE-3RSPST/PE-4XSPST incorporates pre- wire, pre-test mounting plate and back box terminals. The outdoor series PE-3RSPST/PE-4XSPST.

The PE-3R/4XSPST wall model shall have a low profile measuring 7.8”L x 5.75”W x 1.6”H. The PE-4XSPK & PE-4XSPST shall have a low profile measuring 8”L x 6.5”W x 4.5”H. Finish shall be red or white. Special lettering shall be available.

When synchronization is required, the appliance shall be compatible with Potter fire alarm control panels and power supplies, with built-in Wheelock® sync protocol. The strobes shall not drift out of synchronization at any time during operation. If the sync protocol fails to operate, the strobe shall revert to a non-synchronized flash rate and still maintain one (1) flash per second over its Regulated Voltage Range.

The speaker shall be listed to low frequency requirements of UL 464 (520 Hz) to meet NFPA’s 520 Hz tone requirements for sleeping areas.