

Description

The SPBR-1000 spanner bracket is used to mount the VM-1000 voice module and SCA-5070INT amplifier. The SPBR-1000 includes two brackets and necessary mounting hardware.

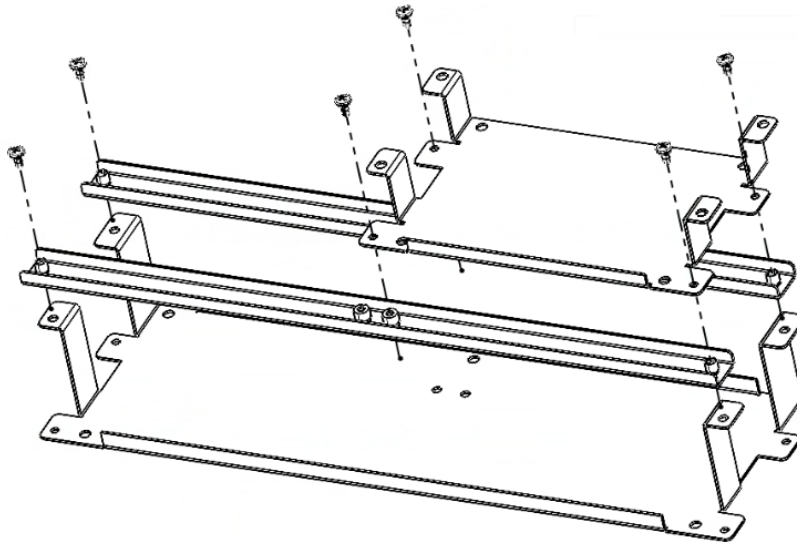
Dimensions

Bracket Dimensions (L x W x D)	14.6" x .75" X .312"
--------------------------------	----------------------

Installation

The SPBR-1000 is mounted as shown below.

Figure 1: SPBR-1000 Installation



Ordering Information

Model	Description	Stock No.
SPBR-1000	Spanner Bracket	3520688