

### Features

- Wide Frequency Band (698 – 960 MHz)
- Public Safety Coverage
- Low VSWR, High Gain and Low PIM
- Easy Installation in projects



### Description

The High Gain Directional Antenna is a directional outdoor donor antenna that provides 15dB gain, perfect VSWR and intermodulation performance. It receives the signal from the tower and transmits the signal amplified by BDA to the tower.

### Installation

1. Install the M10 bolt and U-shape clamp on the upper and lower brackets of the antenna and pre-tighten the M10 nuts. Fastening the brackets to the back of the antenna with M10 bolt, torquing the nut to 47 N·m.
2. Tightening the scale to the upper bracket with the M6 nut, fix the scale to 0 degree position, torquing the nut to 8N·m. (Above steps must be completed under the tower before installing the antenna).
3. Installing the antenna vertically to the support pole using M12 bolt, torquing the nut to 86 N·m.
4. Loosening the scale fixing nut on the upper bracket, adjusting the mechanical downtilt angle of antenna to the suitable angle based on the scale display, then tightening the scale and all nuts on the bracket.

### Technical Specifications

Electrical Specifications		
<i>Frequency(MHz)</i>	698-806	806-960
<i>Polarization</i>	Vertical	
<i>Gain (dBi)</i>	≥15	≥16
<i>Electrical Downtilt (°)</i>	0	
<i>Horizontal beam width (°)</i>	29±3	26±3
<i>Vertical beam width (°)</i>	29±3	26±3
<i>Front-to-back Ratio (dB)</i>	≥30	
<i>Impedance (Ω)</i>	50	
<i>VSWR</i>	≤1.5	
<i>Intermodulation IM3 (2x43dBm tone)</i>	≤-153dBc	
<i>Maximum Power(W)</i>	100	
<i>Ground Protection</i>	DC Grounding	
Mechanical Specifications		
<i>Connector</i>	N-Female	
<i>Connector Position</i>	Bottom	
<i>Height/Width/Depth (mm)</i>	700*700*134	
<i>Packing Size</i>	920*780*270	
<i>Antenna Weight (kg)</i>	14.8	
<i>Bracket Weight (kg)</i>	4.5	
<i>Radome Material</i>	Fiberglass	
<i>Radome Color</i>	White	
<i>Mechanical Tilt Range (°)</i>	0~25	
<i>Suitable Pole Diameter (mm)</i>	50~115	
<i>Operating Temperature (°C)</i>	-40~+60	
<i>Rated Wind Velocity (mph)</i>	150	

**Installation (Continued)**

Fig. 1

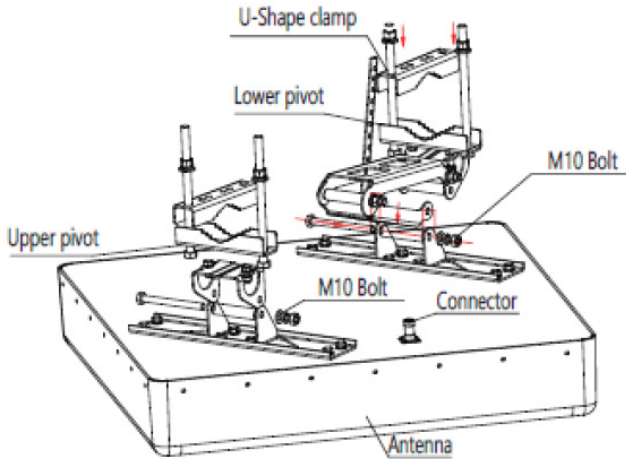


Fig. 2

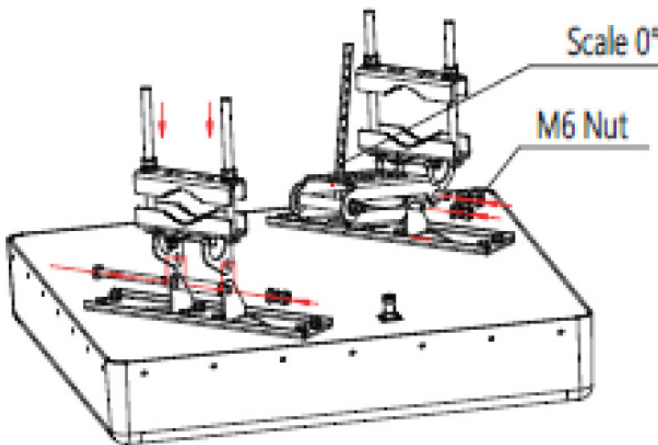
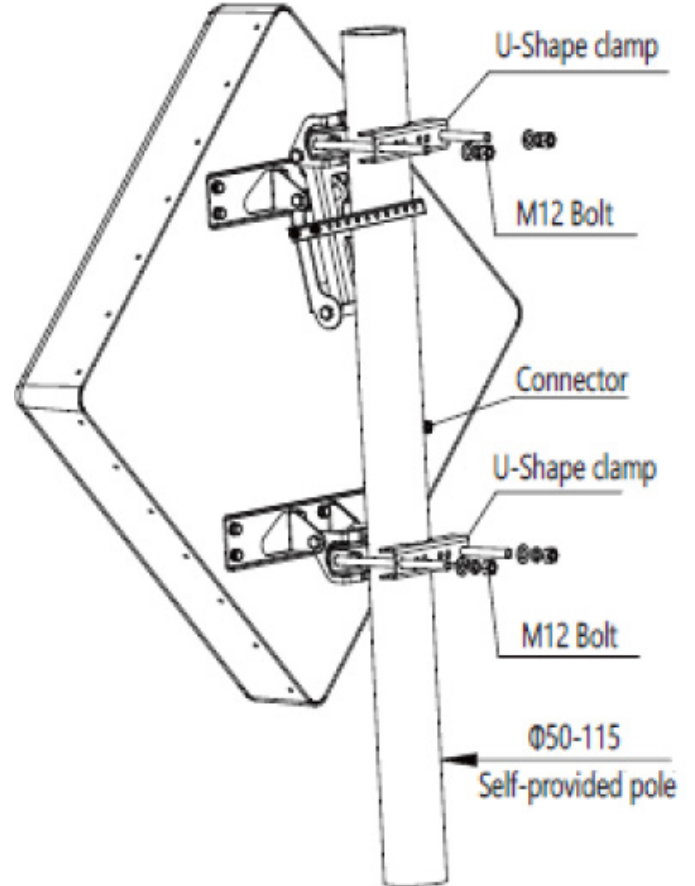


Fig. 3



**Ordering Information**

Model	Description	Stock No.
DONOR-698-960-15	Outdoor, High Gain, Yagi Directional Antenna, 50 OHM, 15 dBi, 698-960MHZ, 100W	3996202