



- Meets or exceeds NFPA/ANSI Standards and ADA Accessibility Guidelines
- UL Listed for ceiling and wall mounting
- Screw terminal capacity up to AWG #12
- Designed for use in sleeping and non-sleeping areas
- 24V strobe model with 177 candela intensity
- Horn field selectable tones:
 - 3000 Hz interrupted or electro-mechanical
 - Temporal or non-temporal
 - High or low dBA output
- Mounts to 4" square, single gang, double gang, or octagonal back box; SPC-1 (retrofit plate) and RBX-1 (back box skirt) are optional
- Polarized strobes with wide operating voltage range using filtered DC or unfiltered FWR input voltage
- Synchronization requires SMD10-3A Sync module
- Available in red or white housing



The SH24C-177 Strobe/Horn features a 177 candela intensity output. The horn provides two different field selectable tones and a high/low setting that can be achieved with the use of mini-jumpers located on the back of the unit. These appliances are polarized for connecting to supervised fire alarm circuits. The strobe is designed with a xenon flash tube and provides a candela intensity field selector switch located on the front for maximum performance.

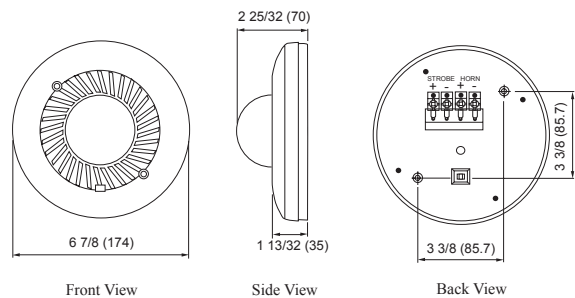
The SH24C-177 can be synchronized by using the SMD10-3A Sync Module (daisy chain) to comply with NFPA recommendations concerning photosensitive epilepsy when installing more than two appliances within the field of view. The strobe signals are listed for indoor use, wall mount, under UL 1971 Standard and are ADA compliant.

Engineering Specifications

The audible and visual alarm indicating appliances shall be Amseco model SH24C-177 or equivalent device. The strobe shall be listed

under UL 1971 Standard for signaling devices for the hearing impaired and shall be approved for fire protective service. The candela output shall be field 177cd intensity output. The signaling strobe shall operate on 24V DC from a non-coded, regulated DC supply or full-wave rectified, unfiltered supply. The horn may operate on a 24V DC coded system. The strobe/horn shall be designed to produce one signal flash per second with continuously applied minimum voltage. The strobe/horn may have a SPC-1 universal back mounting plate, capable of ceiling and wall mounting to a back box. When strobe synchronization is required, the strobe/horn shall be compatible with the Potter SMD10-3A (daisy chain) or other source of sync protocol. Audible and visual signaling devices shall be installed in sleeping areas in accordance with current NFPA guidelines.

Dimensions: inches (mm)



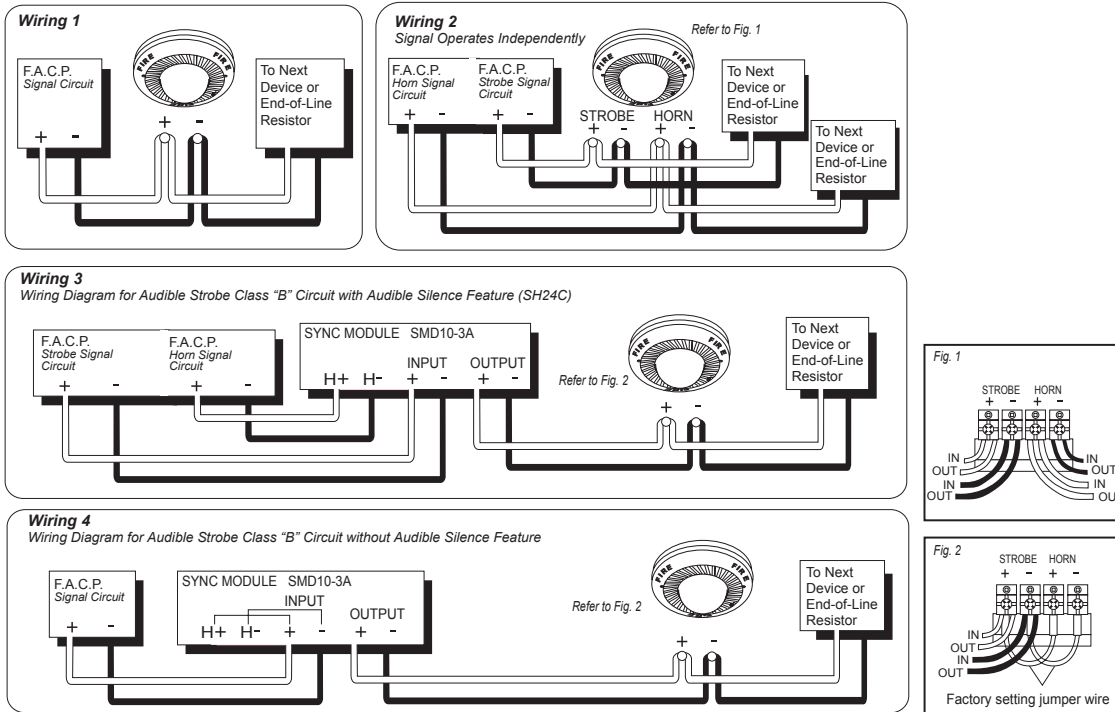
WARNING

Strobes must be used only on circuits with continuously operating voltage. DO NOT use strobe on coded or interrupted circuits in which the applied voltage is interrupted ON and OFF as the strobe may fail to flash. The applied voltage must be within its rated input voltage range. Fuse ratings on signaling circuits must handle peak currents from all devices connected to those circuits.

Ordering Information

Model Number	Stock Number	Housing Color	Input Voltage	Operating Voltage Range	Selectable Strobe Output (cd)	Horn Sound Output	Flash Rate	Mounting Type	Operating Temperature Range
SH24C-177R	4570001	Red	Regulated 24V DC/ FWR	16-33 VDC 16-33 VFWR	177	Selectable	60 times/ min.	Ceiling and Wall	32°F - 120°F (0°C - 49°C)
SH24C-177W	4570002	White							

Wiring Diagram



Specifications

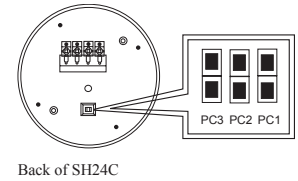
Current Draw Table				PC3: Pattern PC2: Tone PC3: Volume			Max. RMS Operating Current (mA)		Min. Sound Output (dBA @ 10ft per UL 464)
				PC3	PC2	PC1	Regulated 24V DC (Typical)	Regulated 24V FWR (Typical)	Regulated 24V DC
Horn and Strobe	Non-Temporal	Electro Mechanical	HIGH	1	1	1	419 (278)	511 (389)	86
			LOW	1	1	0	402 (266)	497 (374)	76
		3000 Hz	HIGH	1	0	1	419 (278)	511 (389)	87
			LOW	1	0	0	402 (266)	497 (374)	77
	Temporal	Electro Mechanical	HIGH	0	1	1	419 (278)	511 (389)	80
			LOW	0	1	0	402 (266)	497 (374)	73
Horn Only	Non-Temporal	Electro Mechanical	HIGH	1	1	1	49 (30)	45 (40)	86
			LOW	1	1	0	34 (18)	34 (25)	76
		3000 Hz	HIGH	1	0	1	49 (30)	45 (40)	87
			LOW	0	1	0	34 (18)	34 (25)	77
	Temporal	Electro Mechanical	HIGH	0	1	1	49 (30)	45 (40)	80
			LOW	0	1	0	34 (18)	34 (25)	73
		3000 Hz	HIGH	0	0	1	49 (30)	45 (40)	82
			LOW	0	0	0	34 (18)	34 (25)	74

UL Required Minimum Light Output		Ceiling Mount
		177cd
DEGREES	0	177.00
	5-25	159.30
	30-45	132.75
	50	97.35
	55	79.65
	60	70.80
	65-70	61.95
	75-80	53.10
	85-90	44.25
	Compound 45	

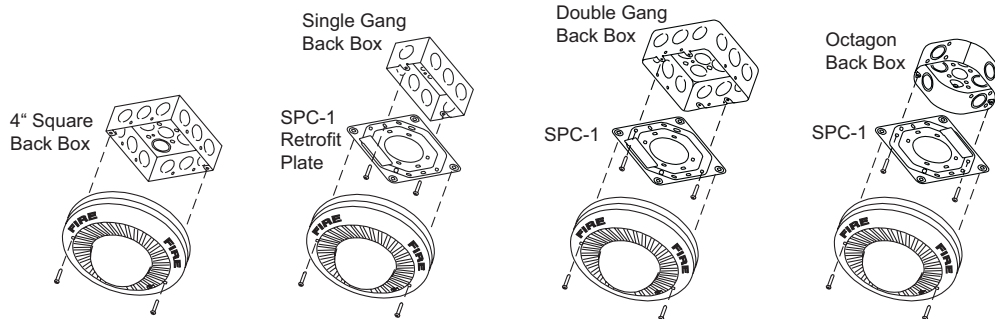
DEGREES	Sound Output Dispersion (dB)	Horizontal	Vertical
	+90	-2	-5
+60	0	-2	
+30	1	-1	
0	0	0	
-30	-2	-1	
-60	-3	-2	
-90	-6	-5	

Tone Selection	PC3 Pattern	PC2 Tone	PC1 Volume
	Non-Temporal	Electro-Mechanical	High
	Temporal	3000Hz	Low

Strobe Light Only	Max. RMS operating Current (mA)	
	Regulated 24V DC	Regulated 24V FWR
177cd	359 (typical 278)	452 (typical 389)



Optional Mounting (using SPC-1 retrofit plate)



Optional Surface Mounting (using RBX-1 back box skirt and SPC-1 retrofit plate)

