



- Listed under UL 1480 fire protective service
- New low profile design
- Screw terminal capacity up to AWG #12
- Field selectable taps from ¼ Watt - 2 Watts
- 25V RMS or 70.7V RMS models
- Mounts to 4" square back box
- Frequency range 400 Hz - 4000 Hz
- Integral blocking capacitor for line supervision
- Available with red or white housing
- UL Listed for wall or ceiling mount



Amseco's low profile, high quality, fire alarm speakers are designed to reproduce attention penetrating tones and voice commands for emergency signaling evacuation systems. These highly efficient low profile speakers are available with field selectable taps from ¼ W - 2 Watts. They are available in two input voltage models 25V RMS and 70.7V RMS and can be installed on a standard 4" x 4" x 1 ½" electrical back box without the need of an extension ring for a fast and cost effective installation. An in-line capacitor provides the isolation necessary for supervisory use. The round and square speaker series are available in red or white housing.

The FH-47 Series speakers are designed to meet UL 1480 requirements for audible and voice communications. The low profile FH-47 speakers produce a broad frequency range to reproduce emergency signals and voice communication.

Ordering Information

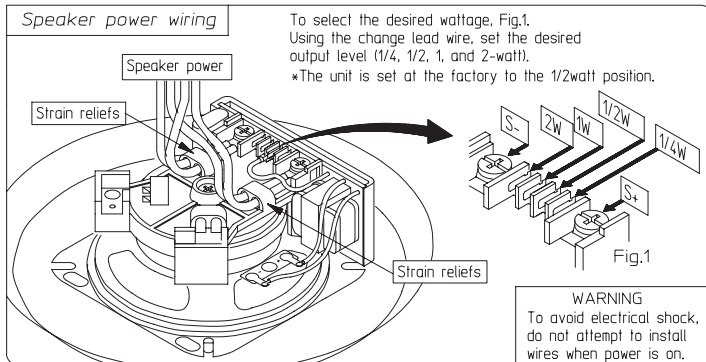
Model Number	Speaker Voltage (V RMS)	Selectable Power Taps (Watts)	Grille Size (inches)	Grille Type	Grille Color
FH-47R-25S	25	¼, ½, 1, 2	5 ½	Square	Red
FH-47W-25S	25	¼, ½, 1, 2	5 ½	Square	White
FH-47R-25R	25	¼, ½, 1, 2	7 ¼	Round	Red
FH-47W-25R	25	¼, ½, 1, 2	7 ¼	Round	White
FH-47R-70S	70.7	¼, ½, 1, 2	5 ½	Square	Red
FH-47W-70S	70.7	¼, ½, 1, 2	5 ½	Square	White
FH-47R-70R	70.7	¼, ½, 1, 2	7 ¼	Round	Red
FH-47W-70R	70.7	¼, ½, 1, 2	7 ¼	Round	White

Engineering Specifications

The fire alarm speaker shall be Amseco FH-47 Series or equivalent and capable of reproducing alarm tones or voice commands on 25V RMS or 70.7V RMS audio systems. Speakers shall provide incremental tap settings of ¼, ½, 1, and 2 Watts, and shall be selected by means of a jumper wire. The speaker shall have a frequency range of 400 to 4000 Hz and shall have an operating temperature between 14°F and 140°F. It will produce a UL sound pressure level at 10 feet up to 84dB. The speaker shall be approved for fire alarm protective signaling use.

Specifications

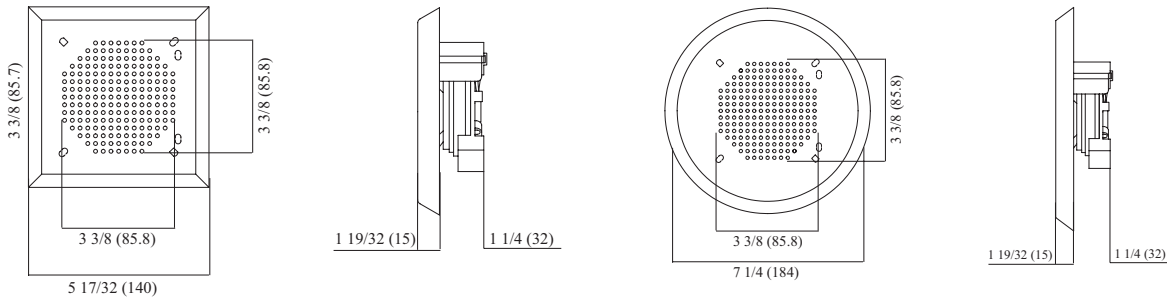
Rated Input Voltage (V RMS)	25V				70.7V			
	1/4W	1/2W	1W	2W	1/4W	1/2W	1W	2W
Input Power (Watts)	2.5K	1250	620	310	20K	10K	5K	2.5K
Impedance (Ohms)	75	78	81	84	75	78	81	84
Sound Pressure Level (dB/10 ft)	400-4000							
Frequency Response (Hz)	200							
Low Frequency Cut-off (Hz)	14°F - 140°F (-10°C - 60°C)							
Operating Temperature Range								



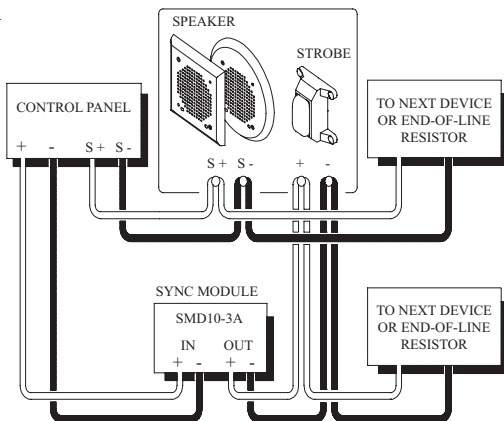
WARNING

Conductor size (AWG), length, and capacity should be taken into consideration prior to design and installation of these products.

Dimensions: inches (mm)



Wiring Diagram



Mounting

