



CSHB/CSLB120 INDOOR/OUTDOOR STROBE HORN/STROBE COMBINATION



- Unit alone is UL Listed for outdoor use
- Low current consumption
- Wide operating voltage range
- AWG #18 lead wire connection
- Mounts to SBX-1 outdoor box, SBP-2 plate on single gang box (included), or SBP-1 large plate (optional)
- Alert decal included
- Available in red or gray housing
- Available strobe colors: Amber, blue, green, and red

The Amseco Outdoor Colored Strobe utilizes a patented design that produces a true color output. The CSLB and CSHB offer a slim look with a stylish round strobe. The CSLB and CSHB colored strobes and colored strobe/horns are listed indoor or outdoor applications and are completely sealed units. The colored coded flying leads provide a simple connection of one or multiple devices. The strobe/horn combinations are selectable with either a continuous or ANSI Temporal 3 output.

These strobes are used in various applications such as Mass Notification, Severe Weather Warning, Machine Operation, Industrial Detection Systems, Access Control and many, many more. These devices are UL listed for general signaling (UL 1638) and comply with the requirements for signaling of the hearing impaired (UL 1971). The bodies of the strobes are available in red or gray. The strobes are designed for 120 VAC, however will operate anywhere between 96 and 132 VAC.

Ordering Information

Model Number	Stock Number	Strobe Color	Housing Color	Input Voltage	Strobe Candela	Flash Rate (times/min.)	Light Output	Mounting Type
CSHB120-AG	4830001	Amber	Gray	Regulated 120V AC	62	75	Low / High	Wall Mount
CSHB120-BG	4830003	Blue			34			
CSHB120-GG	4830005	Green			69			
CSHB120-RG	4830007	Red			29			
CSHB120-AR	4830002	Amber	Red		62			
CSHB120-BR	4830004	Blue			34			
CSHB120-GR	4830006	Green			69			
CSHB120-RR	4830008	Red			29			
CSLB120-AG*	4820001	Amber	Gray		62			
CSLB120-BG*	4820003	Blue			34			
CSLB120-GG*	4820005	Green			69			
CSLB120-RG*	4820007	Red			29			
CSLB120-AR*	4820002	Amber	Red		62			
CSLB120-BR*	4820004	Blue			34			
CSLB120-GR*	4820006	Green			69			
CSLB120-RR	4820008	Red			29			

* Contact Potter before ordering

Engineering Specifications

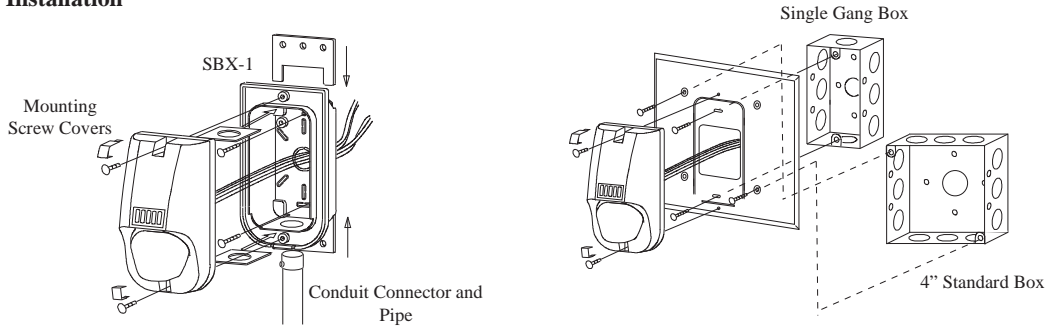
The Amseco CSLB120 colored strobe or CSHB120 colored strobe/horn shall be provided for visual (and audible with CSHB) notification. The device shall be completely sealed and listed for both indoor and outdoor installations. For outdoor installations, the SBX-1 back box shall be provided. The devices shall be UL listed for General Signaling and shall comply with light output requirements of UL 1971 for spacing. The colored strobes shall have a minimum light output of 15 cd. The reflective mirror shall be the same color as the lens to produce a true color of amber, red, blue or green. The strobe shall operate between 96 and 132 VAC regulated or full wave rectified. The strobe shall flash a minimum of once a second continuously at 96 VAC.

CSHB/CSLB120

INDOOR/OUTDOOR STROBE

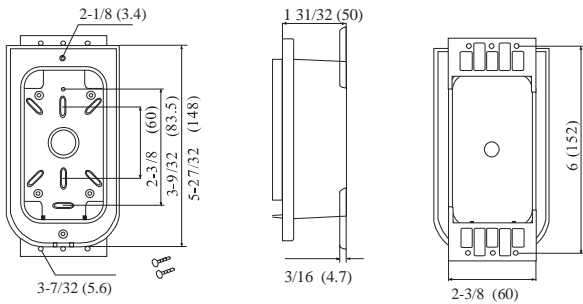
HORN/STROBE COMBINATION

Installation

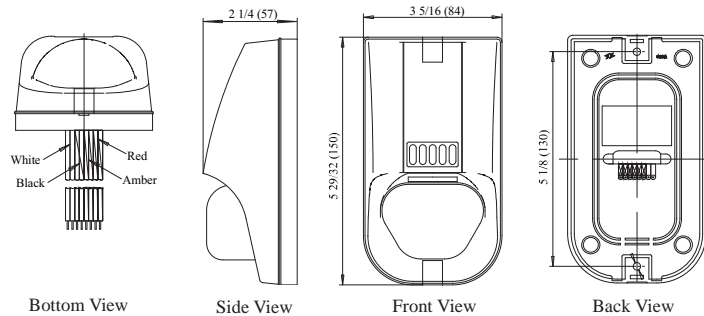
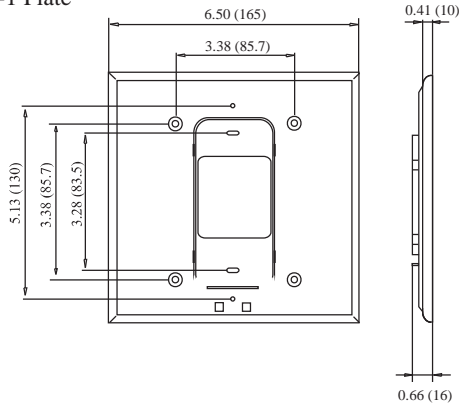


Dimensions: inches (mm)

SBX-1 Surface Mount Back Box



SBP-1 Plate



Wiring Diagram

