

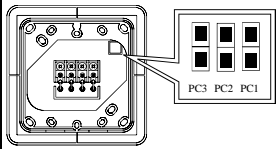


- Meets or exceeds NFPA/ANSI Standards
- UL Listed for wall or ceiling mounting
- Screw terminal capacity AWG #12
- Universal mounting plate included
- Polarized strobes with wide operating voltage range using filtered DC or unfiltered FWR input voltage
- Horn field selectable tones:
 - 3000 Hz interrupted or electro-mechanical
 - Temporal or Non-temporal
 - High or low dBA output
- Mounts to 4" square, single gang, double gang, or octagonal back box
- Synchronization requires Sync Module (SMD10-3A)
- Available in red or white housing

Amseco's Select-A-Horn Series is designed to comply with NFPA/ANSI audible emergency evacuations signal and UL 464 audible signaling appliances. The horn provides two different field selectable tones, and a high/low output setting that can be achieved with the use of mini jumpers located on back of the unit. These appliances are polarized for connecting to supervised fire alarm circuits. The H24W can be synchronized by using the SMD10-3A Sync Module.

Model Number	Stock Number	Housing Color	Input Voltage	Operating Voltage Range	Horn Sound Output	Wiring Type	Mounting Type	Sync Module	Operating Temperature Range
H24WR	4560001	Red	Regulated 24V DC/ FWR	16-33 VDC	Selectable	Terminals	Wall or Ceiling Mount	SMD10-3A	32°F - 120°F (0°C - 49°C)
H24WW	4560002	White		16-33 VFWR					

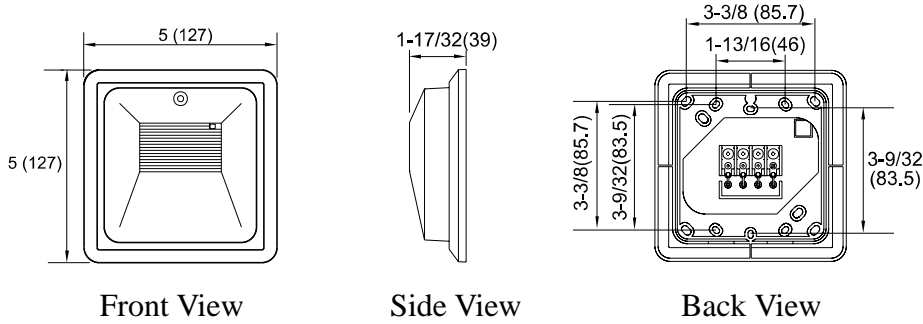
Engineering Specifications

Horn Only Current Draw Table			PC3: Pattern PC2: Tone PC1: Volume			Max. RMS Operating Current (mA)		Min. Sound Output (dBA @ 10ft per UL 464)	Under ULC	ULC Current @ 24V DC (mA)
			PC3	PC2	PC1	Regulated 24 V DC	24 V FWR	Regulated 24V DC	Low	15
Non-Temporal	Electro-Mechanical	High	1	1	1	57	91	83	High	42
		Low	1	1	0	42	44	74		
	3000 Hz	High	1	0	1	70	68	84		
		Low	1	0	0	36	38	74		
Temporal	Electro-Mechanical	High	0	1	1	57	91	79	Back of H24W	
		Low	0	1	0	42	44	69		
	3000 Hz	High	0	0	1	70	68	80		
		Low	0	0	0	36	38	70		

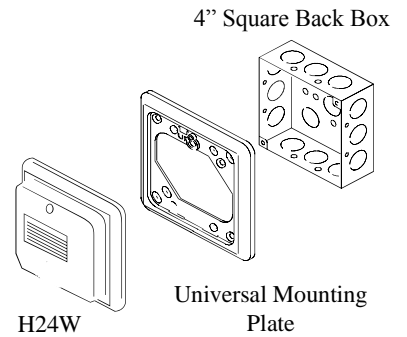
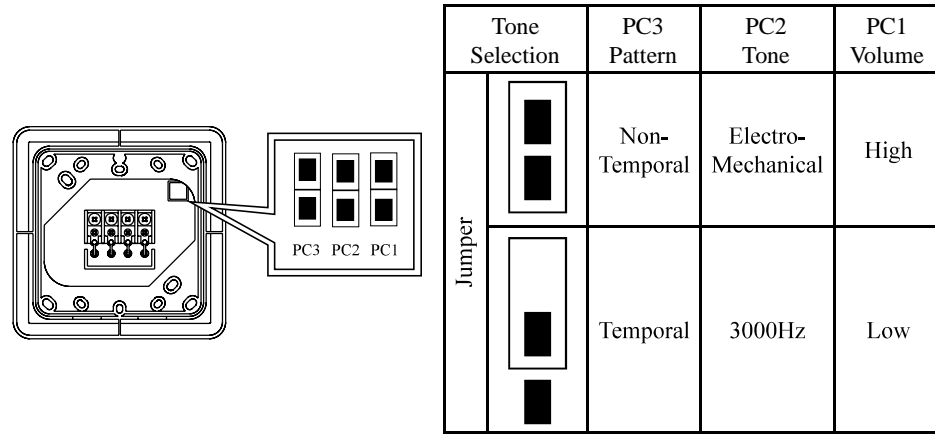
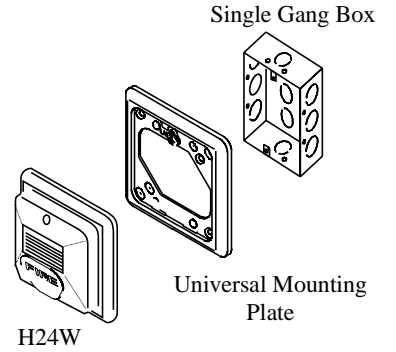
Specifications

The audible alarm indicating appliance shall be Amseco model H24W or equivalent device. The horn shall be listed under UL 464 Standard for audible signaling appliance and shall be approved for fire protective service. The sound output shall be field selectable. The horn shall provide two different field selectable tones and a high and low field selectable sound output setting. The signaling horn shall operate on 24V DC from a non-coded regulated DC supply or full-wave rectified, unfiltered supply. The horn shall have a universal back box mounting plate, capable of wall mounting to a back box. When strobe synchronization is required, the horn shall be compatible with the Amseco SMD10-3A (daisy chain) or other source of Amseco sync protocol. Signaling devices shall be installed in accordance with current NFPA guidelines.

Dimensions: inches (mm)



Installation



Wiring Diagram

