

## SS-2 DUAL-TONE SIREN

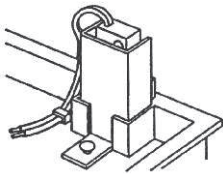
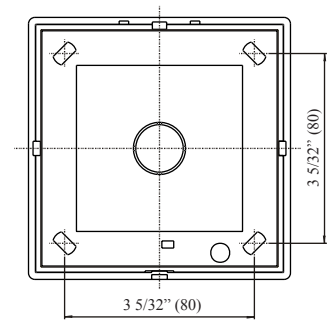
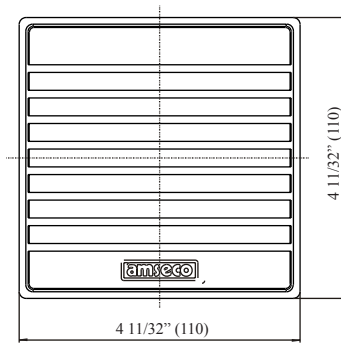
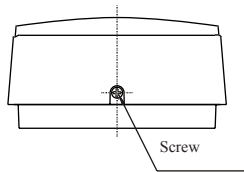
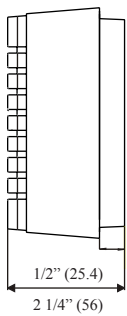


- Surface mount dual-tone siren
- 12V DC operating voltage
- Durable, high impact housing
- Suitable for use with most control panels
- Optional tamper switch PSW-1
- Steady and warble sound outputs
- Current draw 350mA @ 12VDC
- High quality mylar cone speaker
- Evenly spaced louvers for a higher sound output
- Exterior color: designer white

The SS-2 is an attractive, high impact, indoor siren that is designed to deliver a dual-tone sound output (steady or warble) selectable tones with the loudest dB sound output at the lowest current consumption.

The siren is constructed of a durable ABS material to protect and withstand a long operating life. It operates on 12VDC and draws as little as 350mA of power and it generates a sound output of 108 decibels. The SS-2 siren back plate is designed to accept the optional PSW-1 tamper switch to protect it from unauthorized removal.

### Dimensions: inch (mm)



PSW-1

### Specifications

Model Number	Rated Voltage (VDC)	Operating Voltage (VDC)	Steady Tone Rated Current (Amps)	Warble Tone Rated Current (Amps)	Steady Sound (dBA)	Warble Sound (dBA)	Sweep Rate Cycle 5 Sec.	Operating Temperature Range
SS-2	12	9.6 - 14.4	0.350	0.530	108	107	20-35	14°F to 122°F -10°C to 50°C