



- cUL Listed
- Polarized with wide operating voltage range using filtered DC or unfiltered FWR input voltage
- FIRE decal included
- 4 wires for easy field wiring
- Mounts to single gang back box
- Silencer button for 10 minute silence
- Available in red or white
- Optional supervised and non-supervised isolators

The HPS-24 is designed for alarm signaling in apartments, suites, or any individual room where effective audible warning is required by federal, state, or local authority having jurisdiction. The mini-horns produce a high sound output with a minimum current draw of just 15mA at 24V DC. The HPS-24 versions are silenceable mini-horns equipped with a Silence push button and a red LED to indicate Active Signal Circuit when lit. The push button allows the user to silence the mini-horn for a maximum of 10 minutes, upon which the mini-horn will sound again until the signal circuit is inactive, the mini-horn is silenced again, or the fire alarm panel is reset. It is polarized for connecting to supervised fire alarm circuits.

Ordering Information

Model Number	Stock Number	Housing Color	Input Voltage	Operating Voltage Range	Wiring Type	Mounting Type	Temperature Operating Range
HPS-24R	4560031	Red	Regulated 24V DC/FWR	19.2 - 28.8V DC/FWR	4-wire	Wall or Ceiling Mount	14°F - 140°F (-10°C - 60°C)
HPS-24W	4560032	White					

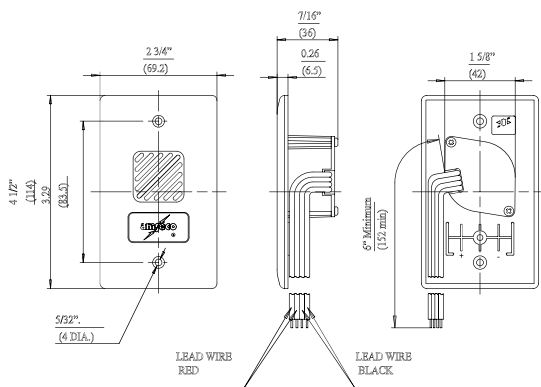
Operating Voltage

	Sound Level	
	UL Spherical	Indoor (Typical)
10VDC	75dBA	90dBA
24VDC	82dBA	98dBA
28VDC	85dBA	100dBA

Engineering Specifications

The audible alarm indicating appliance shall be Amseco model HPS-24 silenceable mini-horn or equivalent device. The horn shall be listed under ULC-S525-99 Standard for audible signaling appliance and shall be approved for fire protective service. The sound output shall be a minimum of 82dB at ten feet. The signaling mini horn shall operate on 24V DC from a non-coded regulated DC supply or full-wave rectified, unfiltered supply. The horn shall be capable of wall or ceiling mounting to a single gang box.

Dimensions: inches (mm)



Mini-Horn Wiring/Mounting

Note: Must use minimum box size of 3.2" H x 1.9" W x .8" D

