

RDC-9 RETRACTABLE MINI CORD

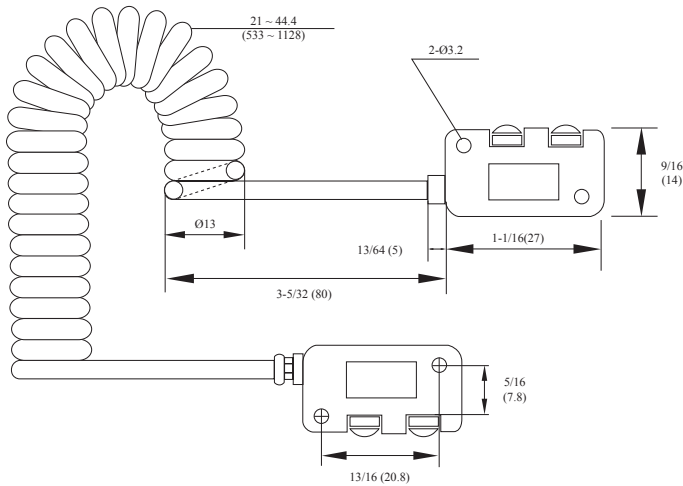


- UL and ULC listed
- Available in brown or ivory

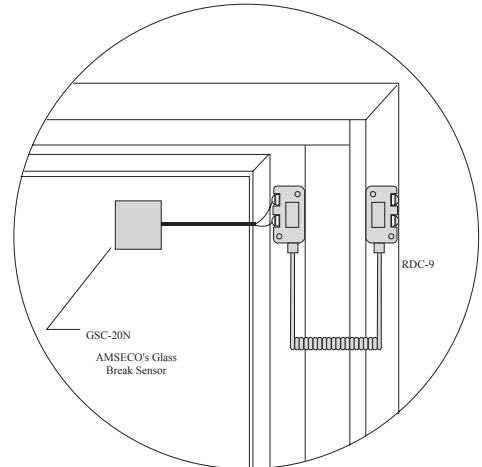
Application

The RDC-9 Retractable Mini Cord is a UL listed, surface mount cord used to transfer protection to moving objects. The RDC-9 is perfect for connecting a glass sensor, vibration sensor, window foil, etc.

Dimensions



Application



Specifications

Model	Color	Stock Number	Cord Length (Normal)	Cord Length (Max.)	Voltage (Normal)	Voltage (Max)	Current Rating (Normal)	Current Rating (Max)
RDC-9	Brown	4300036	21"	44"	130V	300V	50mA	2A
	Ivory	4300037						