

TSW-2T

MECHANICAL TAMPER SWITCH

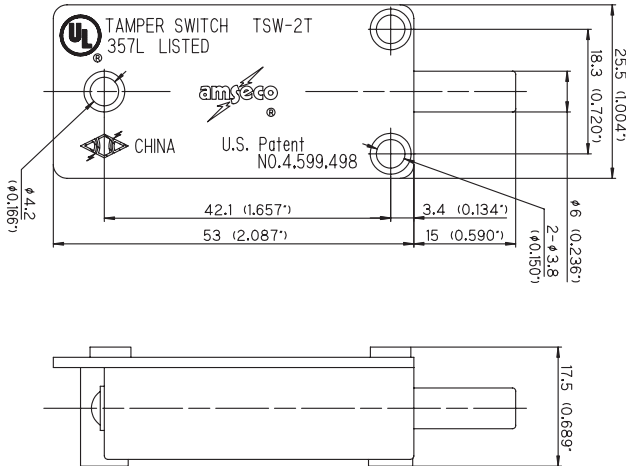


- UL listed
- .2" pre-travel stroke
- .5" overall operating stroke
- (2) self-cleaning split blade contacts

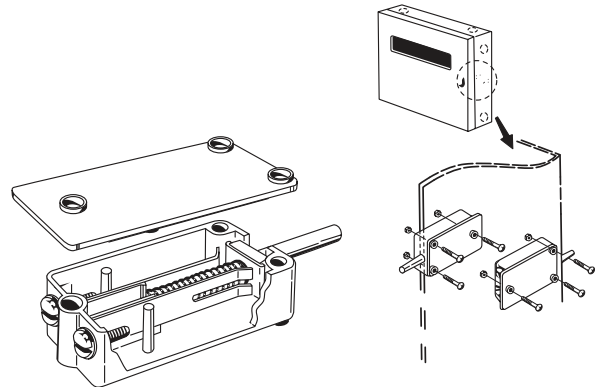
Application

The TSW-2T is a very reliable tamper switch that guards against the handling of internal controls and ensures complete security protection. The TSW-2T is ideal for securing bell boxes and security control panels.

Dimensions



Application



Specifications

Model	Color	Stock Number	Contact	Contact Type	Operating Stroke	Pre-Travel Stroke
TSW-2T	Ivory	4400007	Terminals	Form A N.O.	.5"	.2"