

## AMS-7 SERIES MINI SURFACE/PRESS FIT MAGNETIC CONTACT

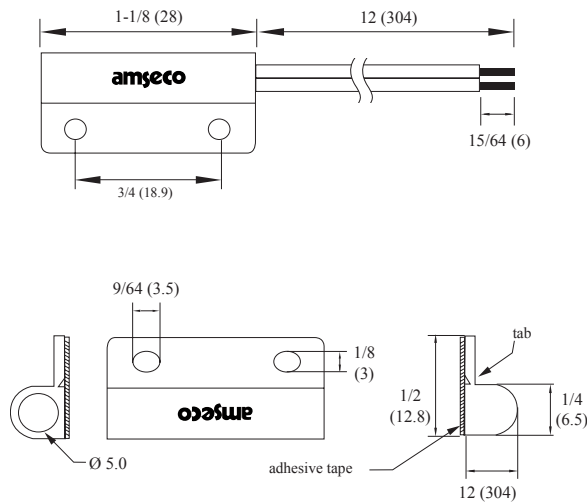


- UL Listed
- 3/4" operating gap
- Surface mount or press fit
- Alnico 5 magnet
- AMS-7 available in white or brown,  
AMS-7D available in white or black

### Application

The AMS-7 Series Mini Surface/Press Fit Magnetic Contact is designed for installations where space is severely limited. The unique break-off tabs allows for field selection of surface mount or press-fit, recessed mount installations. The size and flexibility of the AMS-7 make it a must have on every technicians vehicle.

### Dimensions



### Specifications

Model	Color	Stock Number	Contact	Contact Rating	Contact Type	Max. Carry Current	Max. Switching Current	Breakdown Voltage	Operating Gap	Mounting Method	Operating Temperature Range
AMS-7	White	4350220	22AWG 12" Lead	10VA	Form A N.O	1.0 Amp	.5 Amp	200VDC	3/4"	Surface mount or Press fit	32°F to 120°F (0°C to 49°C)
	Brown	4350219			Form B N.C.						
AMS-7D	White	4350231									
	Black	4350221									