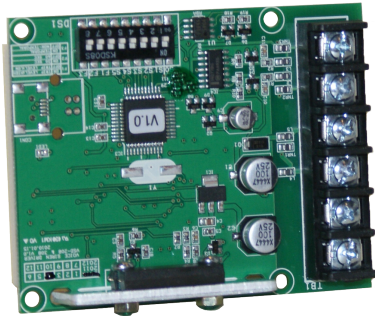


VSD-208 MULTI-TONE HIGHPOWER SIREN DRIVER

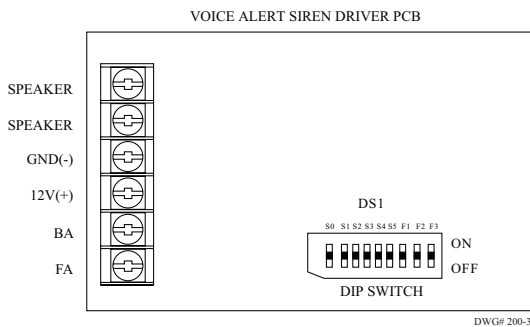


- Fire and burglar message in English, Spanish or both
- 8 distinctive sound outputs
- 32 different selectable sound combinations
- Selectable temporal pattern
- Operates on 9-18 VDC
- Use with 4, 8 and 16 Ohm speakers
- Compatible with Amseco models: SHX-51, SH-4, FHS-2, FHS-3

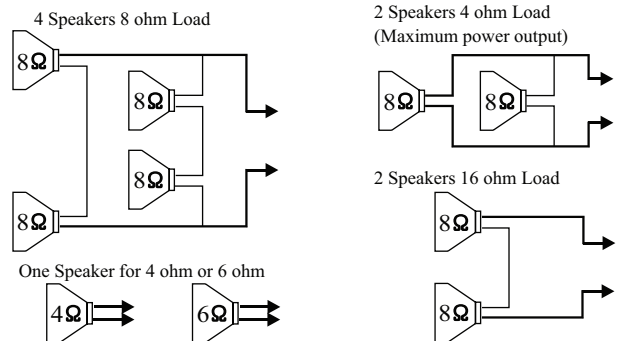
The VSD-208 Voice Siren Driver is designed to be used for fire and intrusion applications. The VSD is versatile and easy to install, compatible with most control panels, and can be mounted with the double sided tape provided.

The VSD-208 can instantly produce a verbal fire or burglary announcement in English, Spanish, or both. Choose from 32 different mode selections. One of 8 distinctive sound options announce independently or in conjunction with the voice warning.

Installation Wiring



Multiple Speaker Wiring Configuration



* 8 ohm 15 watt Speakers are recommended.
4 ohm or 6 ohm Speakers, use one speaker only.

DWG# 139-2

| Model | Stock Number | Input Voltage | Current draw |
|---------|--------------|---------------|--|
| VSD-208 | 4170002 | 12 VDC | Idle - 160mA 4 ohm - 1.9A max 8 ohm - 1.1A max 16 ohm - .8A max |