



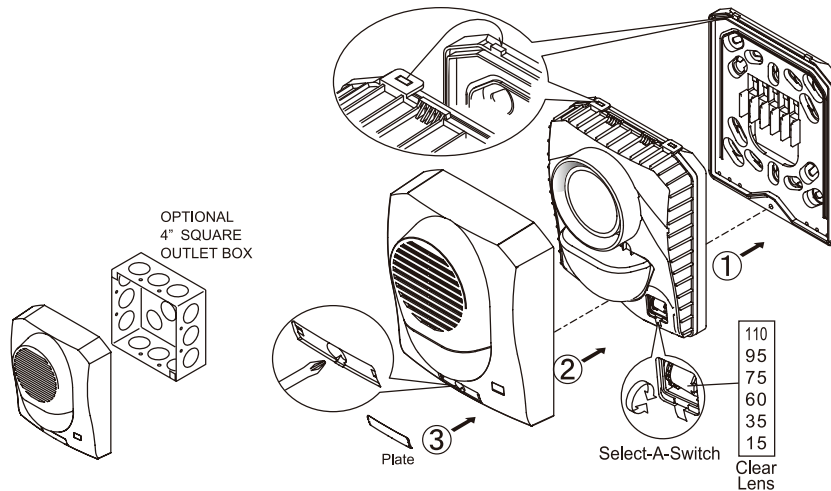
- UL and cUL listed
- 12 VDC with 15, 35 or 60 cd setting
- 24 VDC with 15, 35, 60, 75, 95 or 110
- 6 distinct candela settings
- Candela selection view window
- 15/75 ADA compliant on 60cd setting
- Pre-wire back plate
- Universal back plate mounting (single gang, double gang, octagon, or 4" square)
- Single screw mounting
- Indoor only
- Low current draw

The SL-1224 Strobe Series provides a wide range of candela light output options in a single device. The candela settings include a 12 or 24 volt operation for the 15, 35 and 60 (75 on axis) candela settings and 24 volt operation for the 15, 35, 60, 75, 95 and 110 candela settings. The candela setting is displayed through the front window and is selectable using a drum wheel. The voltage input can be either regulated DC or full wave rectified (FWR) 12 volt or 24 volt with an operating range from 8 to 33V DC. The strobes can be synchronized using a control panel with the Potter (Amseco) sync protocol or a SMD10-3A sync module.

The SL-1224 utilizes a universal mounting plate that will mount on a single gang, double gang, octagon and 4" square electrical boxes. The back plate allows the installer to mount the plate and terminate the wire connections. The strobe attaches in a hinge fashion from the top and is secured by a single mounting screw. The strobe completely covers the mounting back plate, therefore it can be mounted before other trades work is completed and not affect the final look.

### Installation

**Note:** Installation must comply in accordance with applicable standards.



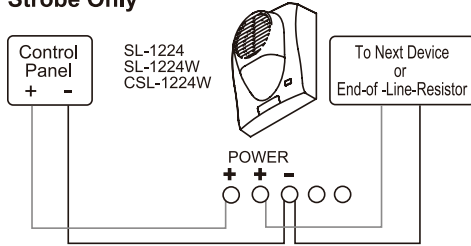
### Ordering Information

Stock Number	Model Number	Description	Color
4560060	SL-1224R	Selectable strobe only	Red
4560061	SL-1224W	Selectable strobe only	White

**Wiring Diagram**

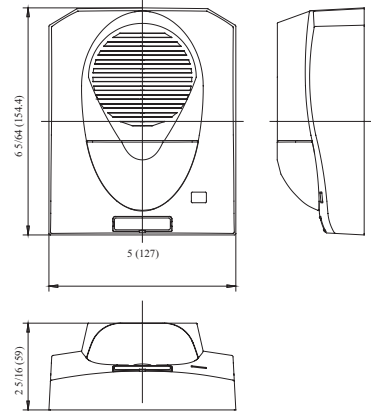
Wiring Observe Polarity Use both terminals (or Lead) for connection. Break wire run to provide electrical supervision.

**Strobe Only**



DWG# 8910002-1

**Dimensions: inches (mm)**



**WARNING**

High voltage may be present inside the light assembly even though power is not connected. If access to the component board is required (removal or replacement), the capacitor must be discharged by touching a wire to both ends of the flashtube.

DO NOT attempt to touch or move the assembly until the capacitor has been discharged.

**Specifications**

**Strobe Current**

Light Output	Max. RMS Operating Current (mA RMS)			
	Reg. 12 VDC	Reg. 12 FWR	Reg. 24 VDC	Reg. 24 FWR
15cd	115	151	61	99
35cd	208	265	101	151
60/75cd	253	256	131	189
75cd	NA	NA	145	207
95cd	NA	NA	176	242
110cd	NA	NA	196	267

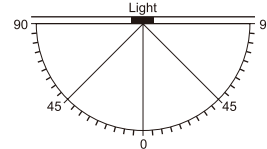
**Note:** All current draw shown is worst case.

Voltage	12/24V	
UL Designation	Regulated 12 DC/FWR	Regulated 24 DC/FWR
Operating Voltage Range	8 - 17.5V	16 - 33V
Flash Rate	60 times/min.	
Sync Module (SMD10-3A)	NA	Available
Operating Temperature Range	32°F to 120°F (0°C to 49°C)	

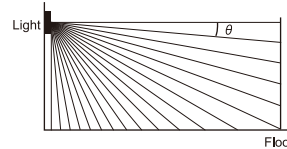
Light output in percentage when measured from the following directions per UL 1971.

Wall and ceiling mount horizontal dispersion

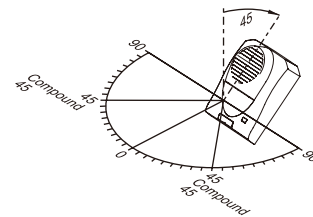
Ceiling mount vertical dispersion



Wall mount vertical dispersion



Degrees	% of Rating	
	Horizontal	Vertical
0	100	100
5-25	90	90
30	75	90
35	75	65
40	75	46
45	75	34
50	55	27
55	45	22
60	40	18
65	35	16
70	35	15
75	30	13
80	30	12
85-90	25	12



**Engineering Specifications**

The installer shall provide and install the Potter SL-1224 selectable strobe. The strobe shall have six (6) candela settings. The candela settings shall be selectable using a drum roller and shall display the candela setting on the front of the device. The strobe shall operate at 12 or 24 VDC regulated or full wave rectified. The strobe shall have an operating range between 8 and 33 VDC. The strobes can be synchronized using a control panel with the Potter (Amseco) sync protocol or a SMD10-3A sync module.

The strobe shall utilize a mounting plate that allows the installer to pre-wire the mounting plate. The mounting plate shall be universal and mount on a single gang, double gang, octagon or 4 inch square box. The mounting plate shall be completely covered by the strobe and shall be secured by a single screw. The strobe shall be UL listed to standard 1638, General Signaling, and standard 1971, Signaling Devices for the Hearing Impaired. In addition, the strobes shall be cUL listed to CAN-ULC S526.