



- 12 VDC with 15, 35 or 60 cd setting
- 24 VDC with 15, 35, 60, 75, 95 or 110
- Outdoor or indoor
- 6 distinctive candela settings
- Candela selection view window
- 15/75 ADA compliant on 60cd setting
- Pre-wire back plate
- Universal back plate mounting (single gang, double gang, octagon, or 4" square)
- Single screw mounting
- Low current draw
- UL and cUL listed

Patents pending

The SL-1224WP Strobe Series provides a wide range of candela light output options in a single device. The candela settings include a 12 or 24 volt operation for the 15, 35 and 60 (75 on axis) candela settings and 24 volt operation for the 15, 35, 60, 75, 95 and 110 candela settings. The candela setting is displayed through the front window and is selectable using a drum wheel. The voltage input can be either regulated DC or full wave rectified (FWR). The strobes can be synchronized using a control panel with the Potter (Amseco) sync protocol or a SMD10-3A sync module.

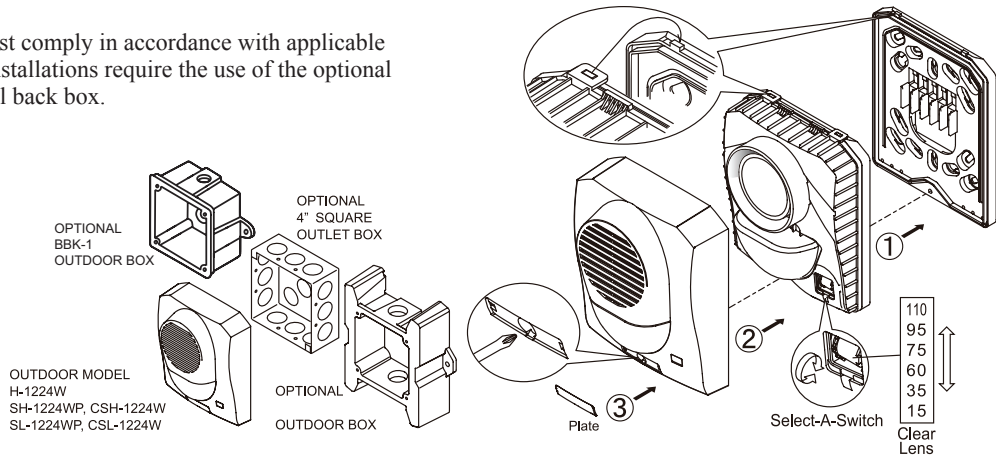
The SL-1224WP utilizes a universal mounting plate that will mount on a single gang, double gang, octagon and 4" square electrical boxes.

The back plate allows the installer to mount the plate and terminate the wire connections. The strobe attaches in a hinge fashion from the top and is secured by a single mounting screw. The strobe completely covers the mounting back plate, therefore it can be mounted before other trades work is completed and not affect the final look.

The Potter SL-1224WP is listed for both outdoor and indoor applications. For outdoor installations, the device must be mounted on a matching BBX-5 back box or BBK-1 outdoor bell back box.

Installation

Note: Installation must comply in accordance with applicable standards. Outdoor installations require the use of the optional BBX-5 or BBK-1 bell back box.



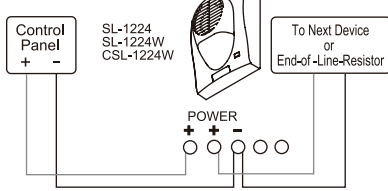
Ordering Information

Stock Number	Model Number	Description	Color
4700050	SL-1224WP-R	Selectable strobe only	Red
4700051	SL-1224WP-W	Selectable strobe only	White
4670017	SMD10-3A	Sync Module	
4270048	BBX-5	Back box (included)	Red
4270049			White
1500001	BBK-1	Bell back box	Red

Wiring Diagram

Wiring Observe Polarity Use both terminals (or Lead) for connection. Break wire run to provide electrical supervision.

Strobe Only



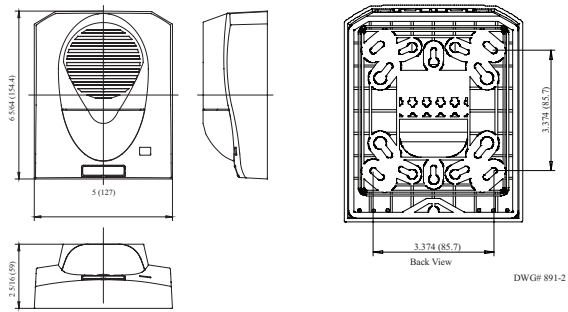
DWG# 8910007-1

WARNING

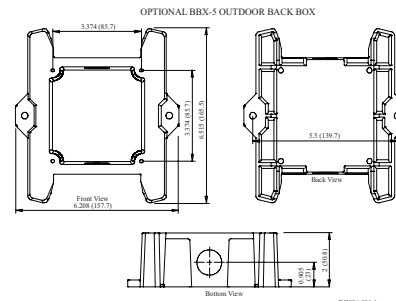
High voltage may be present inside the light assembly even though power is not connected. If access to the component board is required (removal or replacement), the capacitor must be discharged by touching a wire to both ends of the flashtube.

DO NOT attempt to touch or move the assembly until the capacitor has been discharged.

Dimensions: inches (mm)



DWG# 891-2



DWG# 891-1

Specifications

Strobe Current

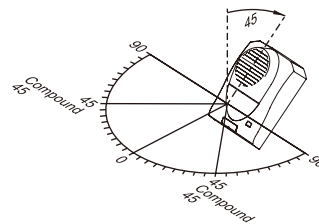
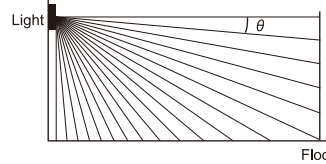
Setting	Light Output	Max. RMS Operating Current (mA RMS)			
		Reg. 12 VDC	Reg. 12 FWR	Reg. 24 VDC	Reg. 24 FWR
1	15cd	129	185	100	102
2	35cd	160	214	135	161
3	60/75cd	193	239	171	202
4	75cd	NA	NA	190	228
5	95cd	NA	NA	211	255
6	110cd	NA	NA	225	284

Note: All current draw shown is worst case at -40°F (-40°C).

Voltage	12/24V	
UL Designation	Regulated 12 DC/FWR	Regulated 24 DC/FWR
Operating Voltage Range	8 - 17.5V	16 - 33V
Flash Rate	60 times/min.	
Sync Module (SMD10-3A)	NA	Available
Operating Temperature Range	Indoor installations: 32°F to 120°F (0°C to 49°C) Outdoor installations: -40°F to 151°F (-40°C to 66°C)	

Light output in percentage when measured from the following directions per UL1971.

Wall mount vertical dispersion



Degrees	% of Rating	
	Horizontal	Vertical
0	100	100
5-25	90	90
30	75	90
35	75	65
40	75	46
45	75	34
50	55	27
55	45	22
60	40	18
65	35	16
70	35	15
75	30	13
80	30	12
85-90	25	12

Engineering Specifications

The installer shall provide and install the Potter SL-1224WP selectable strobe. The strobe shall have six (6) candela settings. The candela settings shall be selectable using a drum roller and shall display the candela setting on the front of the device. The strobe shall operate at 12 or 24 VDC regulated or full wave rectified (FWR) and shall have an operating range between 8 and 33 VDC. The strobes can be synchronized using a control panel with the Potter (Amseco) sync protocol or a SMD10-3A sync module. The strobe shall utilize a mounting plate that allows the installer to pre-wire the mounting plate. The mounting plate shall be universal and mount on a single gang, double gang, octagon or 4 inch

square box. The mounting plate shall be completely covered by the strobe and shall be secured by a single screw. The SL-1224WP can be mounted outdoor and is listed for such applications. In outdoor installations, the SL-1224WP shall be mounted on either a matching BBX-5 or BBK-1 weatherproof back box. The operating range shall be 32°F to 120°F (0°C to 49°C) for the indoor installations and -40°F to 151°F (-40°C to 66°C) for the outdoor installations. The strobe shall be UL listed to standard 1638, General Signaling, and standard 1971, Signaling Devices for the Hearing Impaired. In addition, the strobes shall be cUL listed to CAN-ULC S526.