
INSTALLATION MANUAL: SPBR-1000 Spanner Bracket

NOTICE TO THE INSTALLER

This manual provides an overview and the installation instructions for the SPBR-1000 bracket. Failure to follow the diagrams in the following pages will cause the system to not operate as intended. The bracket shall only be installed with listed control panels. Refer to the integrated voice panel manual for proper system operation.

1. DESCRIPTION

The SPBR-1000 spanner bracket is used to mount the VM-1000 voice module and SCA-5070INT amplifier. The SPBR-1000 includes two brackets and necessary mounting hardware.

2. TECHNICAL SPECIFICATIONS

Bracket Dimensions (L x W x D)	14.6" x .75" X .312"
--------------------------------	----------------------

3. INSTALLATION

The SPBR-1000 is mounted as shown below.

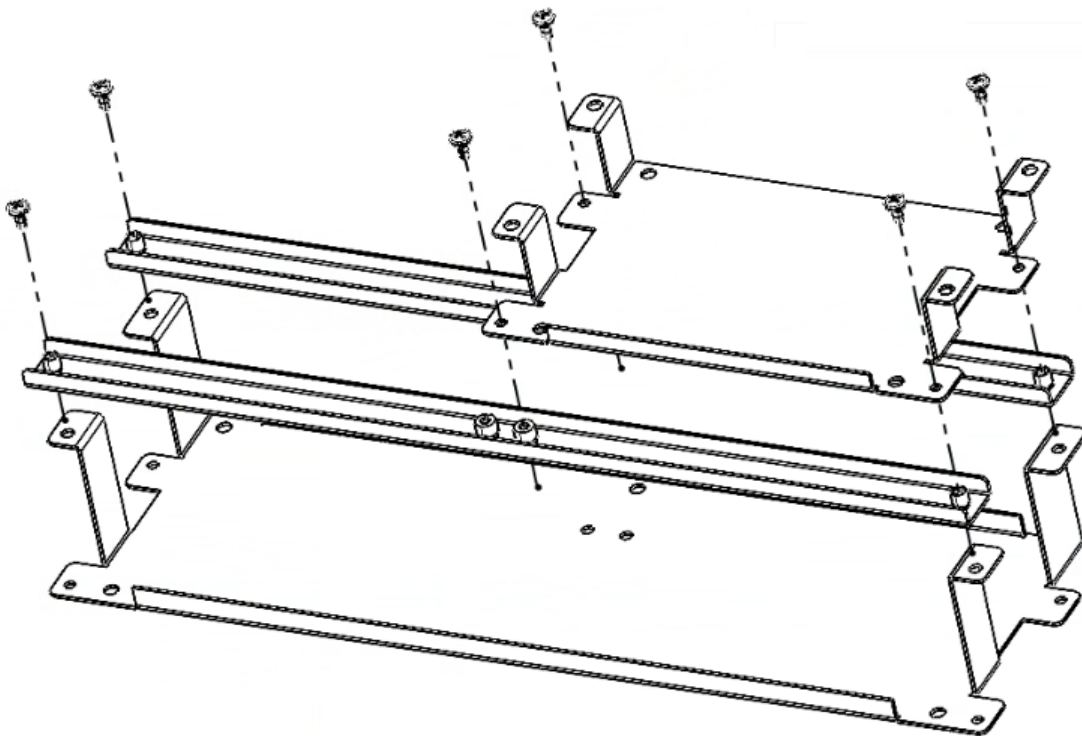


FIGURE 1: SPBR-1000 INSTALLATION