

Installation Manual: PAD100-SIM Single Input Module

NOTICE TO THE INSTALLER

This manual provides an overview and the installation instructions for the PAD100-SIM module. This module is only compatible with addressable fire systems that utilize the PAD Addressable Protocol.

All terminals are power limited and should be wired in accordance with the requirements of NFPA 70 (NEC) and NFPA 72 (National Fire Alarm Code). Failure to follow the wiring diagrams in the following pages will cause the system to not operate as intended. For further information, refer to the control panel installation instructions.

The module shall only be installed with listed control panels. Refer to the control panel installation manual for proper system operation.

1. Description

The PAD100-SIM module uses one (1) SLC loop address on an SLC loop when monitoring one (1) Class B circuit. The module mounts on either an UL Listed 2-1/2" deep 2-gang box or 1-1/2" deep 4" square box.

The PAD100-SIM includes one red LED to indicate the module's status. In normal condition, the LED flashes when the device is being polled by the control panel. When an input is activated, the LED will flash at a fast rate. If the LED blink has been disabled via the programming software, in a normal condition the LED of the device will be off. All other conditions remain the same.

2. Setting the Address

All PAD protocol detectors and modules require an address prior to connection to the panel's SLC loop. Each PAD device's address (*i.e.*, *detector and/or module*) is set by changing the dip switches located on the device. PAD device addresses are comprised of a **seven (7) position dip switch** used to program each device with an address ranging from 1–127.

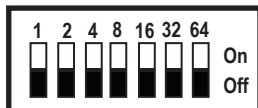
Figure 1. PAD Device Dip Switch Addresses Table (Addresses 1–127)

1	2	4	8	16	32	64	1	2	4	8	16	32	64	1	2	4	8	16	32	64	1	2	4	8	16	32	64	1	2	4	8	16	32	64
1							27							53							78						103							
2							28							54							79						104							
3							29							55							80						105							
4							30							56							81						106							
5							31							57							82						107							
6							32							58							83						108							
7							33							59							84						109							
8							34							60							85						110							
9							35							61							86						111							
10							36							62							87						112							
11							37							63							88						113							
12							38							64							89						114							
13							39							65							90						115							
14							40							66							91						116							
15							41							67							92						117							
16							42							68							93						118							
17							43							69							94						119							
18							44							70							95						120							
19							45							71							96						121							
20							46							72							97						122							
21							47							73							98						123							
22							48							74							99						124							
23							49							75							100						125							
24							50							76							101						126							
25							51							77							102						127							
26							52																											

Note: Each "gray" box indicates that the dip switch is "On," and each "white" box indicates "Off."

The examples shown below illustrate a PAD device's dip switch settings: the 1st example shows a device *not addressed* where all dip switch settings are in the *default "Off" position*, the 2nd illustrates an *addressed PAD device* via the dip switch settings.

Figure 2. Examples of PAD Device Showing Default Dip Switch Setting (Unaddressed) & Addressed PAD Device



All dip switches are shown in the "Off" position.



Example shows this PAD device's address = 42. Dip switches #2, 8 & 32 are in the "On" position.

INSTALLATION MANUAL: PAD100-SIM SINGLE INPUT MODULE

Before connecting a device to the SLC loop, take the following precautions to prevent potential damage to the SLC or device.

- Power to the SLC is removed.
- Field wiring on module is correctly installed.
- Field wiring has no open or short circuits.

3. Technical Specifications

Operating Voltage	24.0V
Max SLC Standby Current	240 μ A
Max SLC Alarm Current	240 μ A
Max Wiring Resistance of IDC	100 Ω
Max Wiring Capacitance of IDC	1 μ F
Max IDC Voltage	2.05 VDC
Max IDC Current	120 μ A
EOL Resistor	5.1K Ω
Operating Temperature Range	32° to 120° F (0° to 49° C)
Operating Humidity Range	0 to 93% (non-condensing)
Max. no of Module Per Loop	127 units
Dimensions	4.17" L x 4.17" W x 1.14" D
Mounting Options	UL Listed 2-1/2" deep 2-gang box or 1-1/2" deep 4" square box
Shipping Weight	0.6 lbs

4. Wiring Diagrams

The wiring diagram shown below illustrates how to wire a PAD100-SIM module as Class B. Additionally, an installation diagram shows how to install the module using a compatible electrical box.

Figure 3. Example of Installing a PAD100-SIM Using a Compatible Electrical Box

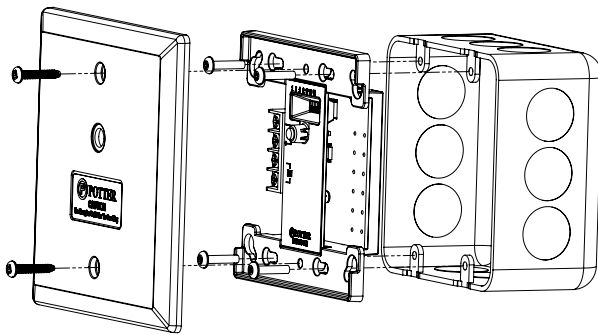
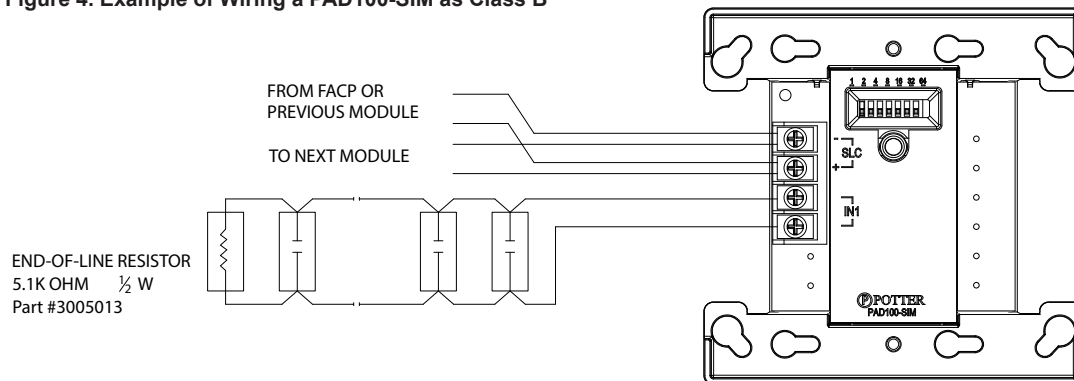
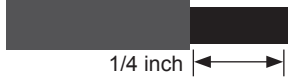


Figure 4. Example of Wiring a PAD100-SIM as Class B



Notes:

- SLC wiring style supports Class A, Class X and Class B.
- IDC wiring style supports Class B.
- SLC loop wiring (SLC+, SLC-) and initiating device wiring (IN1) are power limited.
- Wiring for terminals SLC+, SLC- and initiating device (IN1) are supervised.
- This addressable module does not support 2-wire detectors.
- All wiring is between #12 (max.) and #22 (min.).
- Wire Preparation – Strip all wires 1/4 inch from their edges as shown here:



- Stripping too much insulation may cause a ground fault.
- Stripping too little may cause a poor connection and subsequently an open circuit.

These instructions do not purport to cover all the details or variations in the equipment described, nor provide for every possible contingency to be met in connection with installation, operation and maintenance.

Specifications subject to change without prior notification.

For Technical Assistance contact Potter Electric Signal Company at 866-956-1211.

Actual performance is based on proper application of the product by a qualified professional.

Should further information be desired or should particular problems arise, which are not covered sufficiently for the purchaser's purpose, the matter should be referred to a distributor in your region.