

OUTDOOR/INDOOR DUAL-TONE

DURABLE SIREN

SSX-82



DURABLE SIREN/STROBE COMBINATION

SSX-82S

A (P) POTTER Brand

INSTRUCTION

INST. SHT. No. SSX82-H1008 S100713

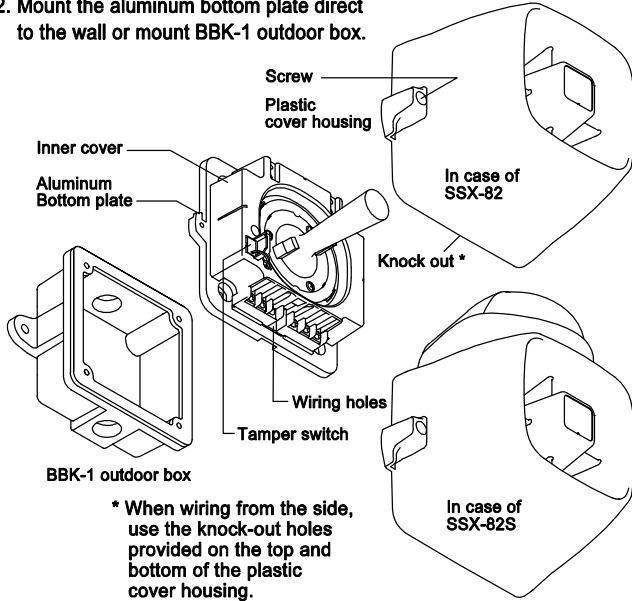
■GENERAL DESCRIPTION

SSX-82 is a durable self-contained outdoor and indoor siren that eliminates the need for an additional siren box and tamper switch mounting which is generally used on a conventional installation. The SSX-82 durable siren consist of a strong and rust free polycarbonate plastic cover housing, 127dB output siren driver and a N/C plunger type tamper switch.

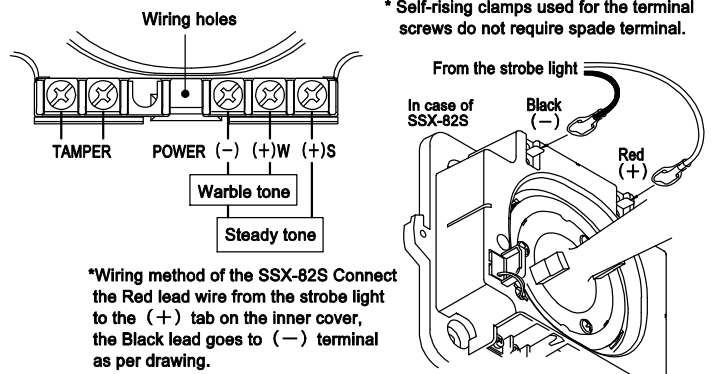
The durable siren DOES NOT require additional modules, metal boxes, tamper switches, special tools, or training to install and operate. The SSX-82 comes completely assembled and ready for installation. Also available the SSX-82S Siren / Colored strobe combination. (Amber, Blue, Clear or Red lens to choose from.)

■INSTALLATION

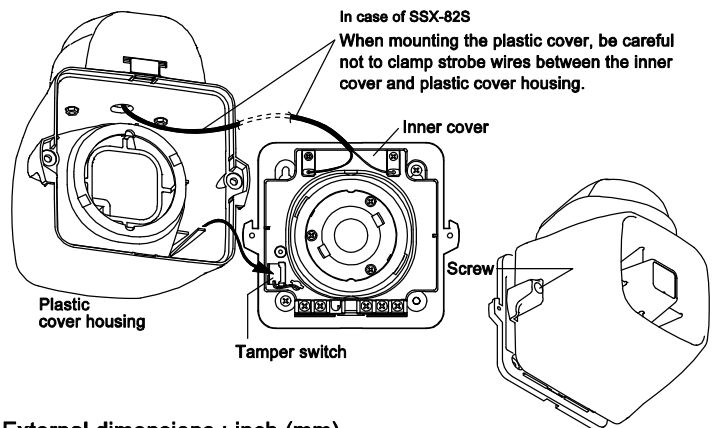
1. Remove the Plastic cover housing by loosening the screws.
2. Mount the aluminum bottom plate direct to the wall or mount BBK-1 outdoor box.



4. Wiring should be made as per drawing, and AWG #12 to #20 should be used. Siren/ Strobe combination model installation should be same method of the above.



5. After completion of wiring, mount the plastic cover back and secure with screws. The tamper switch must be pushed by the cover housing, so please place the cover in the correct position.



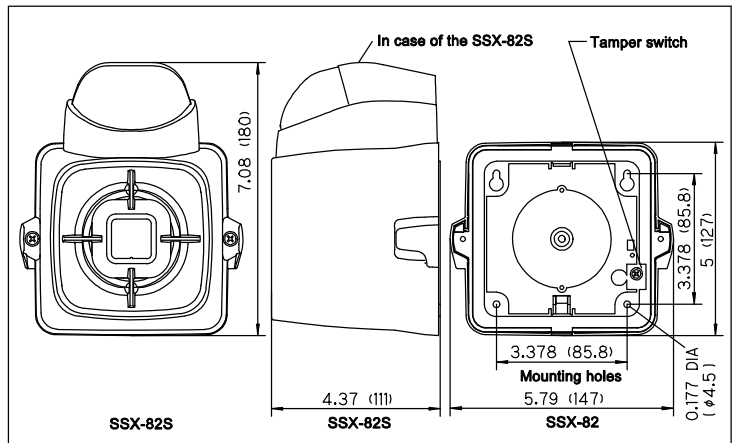
■SPECIFICATION

	SSX-82	SSX-82S
Rated voltage	12VDC	
Rated current	1.20A at 12VDC (typical)	1.31A at 12VDC (typical)
Sound output	127dB (Steady & Warble)	
Operating voltage	4.8~14.4VDC	9.6~14.4VDC
Flashing rate	—	20~100 flashes/min.
Tamper switch contact capacity	0.3A Max. at 12VDC	
Operating temperature range	-4°F ~ +149°F / -20°C ~ +65°C	
Lens color	—	Amber, Blue, Clear, Red

■NOTE

- * Siren sound quality varies with the power supply. If the power source has a high rippled, siren driver does not creates the best sound. Best siren sound should be made with a lower rippled power supply.
- * Please do not touch electronic components when you install the siren, it may cause damage.

External dimensions : inch (mm)



Potter Electric Signal Company, LLC
 1609 Park 370 Place, Hazelwood, MO 63042
 Phone:800-325-3936/Canada 888-882-1833
 www.pottersignal.com