

Installation Instructions

Explosion Proof, Weather Proof - Manual stations

This product is a high quality initiating device suitable for use in hazardous areas including outdoor applications. It is important to read all information pertaining to this device and its application.

Electrical Rating:

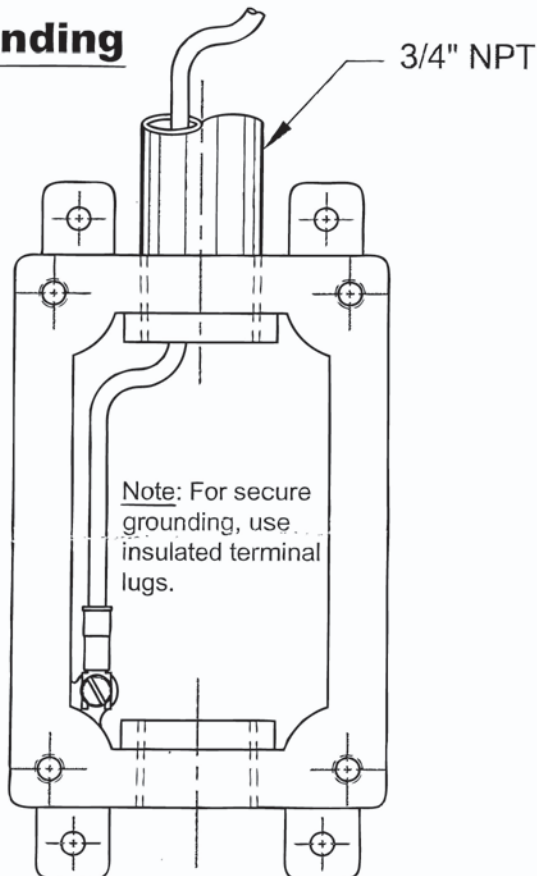
Contacts: D.P.D.T.
Contact Rating: 10 amps @125/250 VAC
Wire awg: 14 to 22 AWG
Wiring Hookup: Terminal block (#6-32 w/sem plate)

UL Rating:

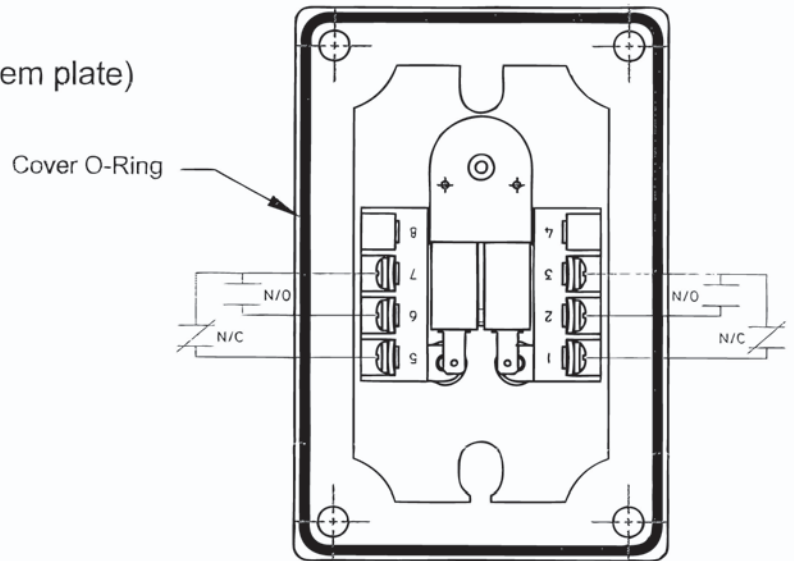
Class	Group
I	B,C,D.
II	E,F,G.
III	

Type 4X (out door)

Grounding

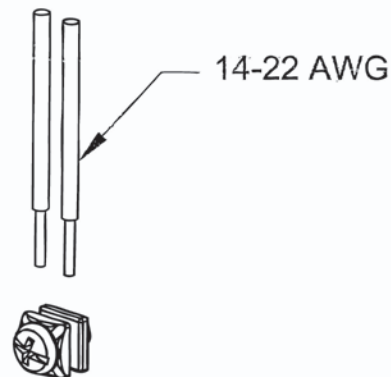


Terminal Block Layout

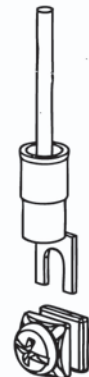


Wiring Hookup:

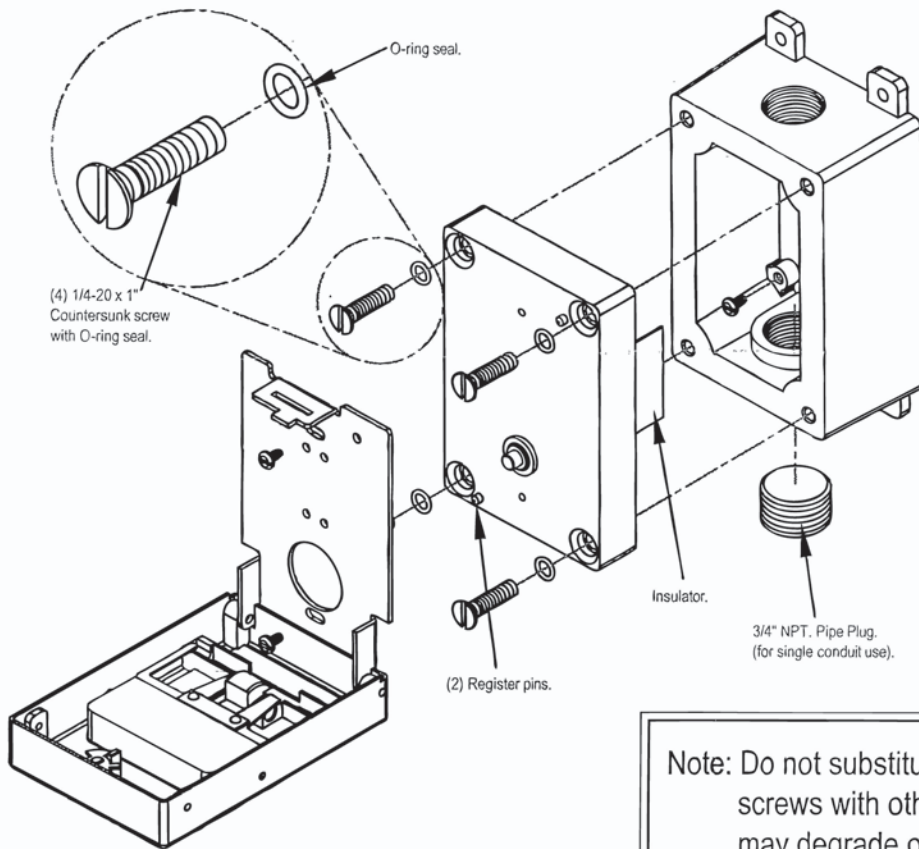
Method - A



Method - B



BASIC ASSEMBLY



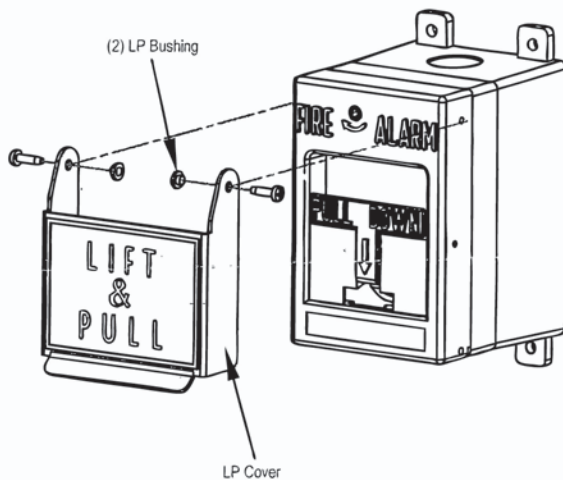
BEFORE CLOSING ASSEMBLY

1. Make sure that mating surfaces are clean and free of debris.
2. Inspect to assure all O-ring seals are in their place. If not, carefully reinstall making sure of proper fit.
3. Squeeze insulator inward and slip cover assembly over back box making sure insulator are inside back box.
4. Before tightening assembly - check to make sure of proper seating.

Note: Do not substitute O-rings or cover screws with other hardware, as this may degrade or produce failure of device. (Replacement seals and extra hardware are upon request).

INSTALLING OPTION - LP

(Lift & Pull Dual action)



INSTALLING OPTION - DAH

(Break glass adaptor - Dual action)

